

STR-D560Z/D660Z/DE615/DE715

SERVICE MANUAL


US Model
STR-D560Z/D660Z/DE615/DE715

Canadian Model
STR-DE615/DE715

Australian Model
STR-DE715



Photo : STR-DE615

Manufactured under license from Dolby Laboratories Licensing Corporation.
“Dolby”, the double-D symbol  and “Pro Logic” are trademarks of Dolby Laboratories Licensing Corporation.

SPECIFICATIONS

AUDIO POWER SPECIFICATIONS

POWER OUTPUT AND TOTAL HARMONIC DISTORTION

With 8-ohm load, both channels driven, from 20 - 20,000 Hz, rated 100 watts per channel, minimum RMS power, with no more than 0.09% total harmonic distortion from 250 milliwatts to rated output (US model only).

Amplifier section

POWER OUTPUT

Stereo mode (8 ohms 20 Hz - 20 kHz, THD 0.09%)
100 W + 100 W

Surround mode (8 ohms at 1 kHz, THD 0.8%)

Front: 100 W/ch
Center (PRO LOGIC mode): 100W
Rear: 100 W/ch

5.1/DVD mode (8 ohms at 1 kHz, THD 0.8%)

Front: 100 W/ch
Center: 100W
Rear: 100 W/ch

Dynamic power output

155 W + 155 W, 8 ohms
110 W + 110 W, 4 ohms

Harmonic distortion at rated output
Less than 0.09%

Frequency response

PHONO: RIAA equalization curve ± 0.5 dB

CD, TAPE, DAT/MD, VIDEO 1, 2:
10 Hz - 50 kHz ± 1 dB

Inputs

	Sensitivity	Impedance	S/N (weighting network, input level)
PHONO	2.5 mV	50 kilohms	75 dB* (A, 2.5 mV)
CD	200 mV		
TAPE, DAT/MD, VIDEO 1, 2, TV/DBS	150 mV	50 kilohms	82 dB* (A, 150 mV)
5.1 INPUT	200 mV	50 kilohms	82 dB* (A, 150 mV)

* ± 78 IHF

Outputs

VIDEO 1, 2 AUDIO OUT:
Voltage: 150 mV, Impedance: 10 kilohms

WOOFER:

Voltage: 2 V
Impedance: 1 kilohms

PHONES:

Accepts low and high impedance headphones

BASS BOOST +10 dB at 70 Hz

TONE ± 8 dB at 100 Hz and 10 kHz

FM tuner section

Tuning range 87.5 - 108.0 MHz

Antenna terminals

75 ohms, unbalanced

Sensitivity Mono: 18.3 dBf, 4.5 μ V
Stereo: 38.3 dBf, 45 μ V

Usable sensitivity

11.2 dBf, 2 μ V (IHF)

S/N Mono: 76 dB
Stereo: 70 dB

Harmonic distortion at 1 kHz

Mono: 0.3%
Stereo: 0.5%

Separation 45 dB at 1 kHz

Frequency response

30 Hz - 15 kHz ± 1.5 dB

Selectivity 60 dB at 400 kHz

— Continued on page 2 —

FM STEREO/FM-AM RECEIVER



SONY®

AM tuner section

Tuning range US, Canadian model :
With 10 kHz interval**:
530 - 1710 kHz
With 9 kHz interval:
531 - 1710 kHz
Australian model :
531-1602 kHz

Antenna Loop antenna

Usable sensitivity
50 dB/m (at 1,000 kHz or
999 kHz)

S/N 54 dB (at 50 mV/m)

Harmonic distortion
0.5 % (50 mV/m,
400 kHz)

Selectivity At 9 kHz: 35 dB
At 10 kHz: 40 dB

** You can change the AM tuning interval to 9 kHz (US and Canadian model only). After tuning in any AM station, turn off the receiver. Hold down the PRESET TUNING + button and press the POWER button. All preset stations will be erased when you change the interval. To reset the interval to 10 kHz, repeat the procedure.

Video section

Inputs VIDEO 1, 2, TV/DBS,
5.1 INPUT:
1 V_{p-p} 75 ohms

Outputs VIDEO 1, 2, MONITOR:
1 V_{p-p} 75 ohms

General

System Tuner section:
PLL quartz-locked
digital synthesizer
system
Preamplifier section:
Low-noise NF type
equalizer
Power amplifier section:
Pure-complimentary
SEPP

Power requirements

Australian model:
240 V AC, 50 Hz
US, Canadian model :
120 V AC, 60 Hz

Power consumption

US model: 280 W
Canadian model:
480 VA
Australian model:
280 W

AC outlets Australian model:
1 switched, total
100 W
Other models:
2 switched, total
120 W

Dimensions 430 × 155 × 350 mm
(17 × 6 1/8 ×
13 7/8 inches)

Mass (Approx.) 9.8 kg (21 lb 9 oz)

Supplied accessories

See page 4.

Design and specifications are subject to change without notice.

TABLE OF CONTENTS

Specifications 1

1. GENERAL

Location and Function of Controls 4

2. DIAGRAMS

2-1. IC Pin Functions 6

2-2. Circuit Boards Locations 10

2-3. Printed Wiring Boards – AMP Section – 11

2-4. Schematic Diagram – AMP Section – 15

2-5. Schematic Diagram – Surround Section – 19

2-6. Printed Wiring Boards – Surround Section – 23

2-7. Schematic Diagram

– Display Section (STR-D560Z/DE615) – 26

2-8. Printed Wiring Boards

– Display Section (STR-D560Z/DE615) – 29

2-9. Printed Wiring Boards

– Display Section (STR-D660Z/DE715) – 33

2-10. Schematic Diagram

– Display Section (STR-D660Z/DE715) – 37

3. EXPLODED VIEWS

3-1. Front Panel Section 44

3-2. Chassis Section 46

3-3. Back Panel Section 47

4. ELECTRICAL PARTS LIST 48

SAFETY CHECK-OUT

After correcting the original service problem, perform the following safety check before releasing the set to the customer :
Check the antenna terminals, metal trim, "metallized" knobs, screws, and all other exposed metal parts for AC leakage. Check leakage as described below.

LEAKAGE TEST

The AC leakage from any exposed metal part to earth ground and from all exposed metal parts to any exposed metal part having a return to chassis, must not exceed 0.5mA (500 microampers). Leakage current can be measured by any one of three methods.

1. A commercial leakage tester, such as the Simpson 229 or RCAWT-540A. Follow the manufacturers' instructions to use these instruments.
2. A battery-operated AC milliammeter. The Data Precision 245 digital multimeter is suitable for this job.

3. Measuring the voltage drop across a resistor by means of a VOM or battery-operated AC voltmeter. The "limit" indication is 0.75V, so analog meters must have an accurate low-voltage scale. The Simpson 250 and Sanwa SH-63Trd are examples of a passive VOM that is suitable. Nearly all battery operated digital multimeters that have a 2V AC range are suitable. (See Fig. A)

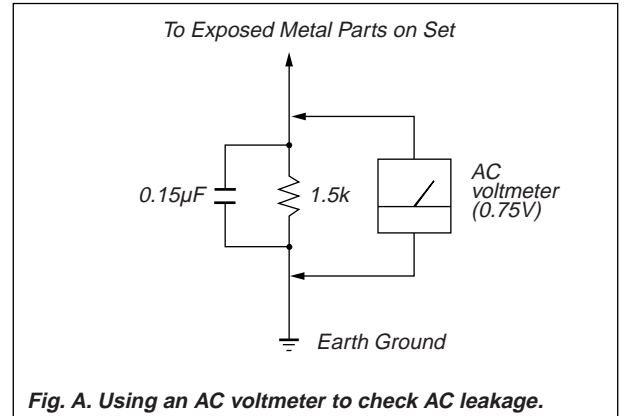


Fig. A. Using an AC voltmeter to check AC leakage.

SAFETY-RELATED COMPONENT WARNING!!

COMPONENTS IDENTIFIED BY MARK \triangle OR DOTTED LINE WITH MARK \triangle ON THE SCHEMATIC DIAGRAMS AND IN THE PARTS LIST ARE CRITICAL TO SAFE OPERATION. REPLACE THESE COMPONENTS WITH SONY PARTS WHOSE PART NUMBERS APPEAR AS SHOWN IN THIS MANUAL OR IN SUPPLEMENTS PUBLISHED BY SONY.

ATTENTION AU COMPOSANT AYANT RAPPORT À LA SÉCURITÉ!

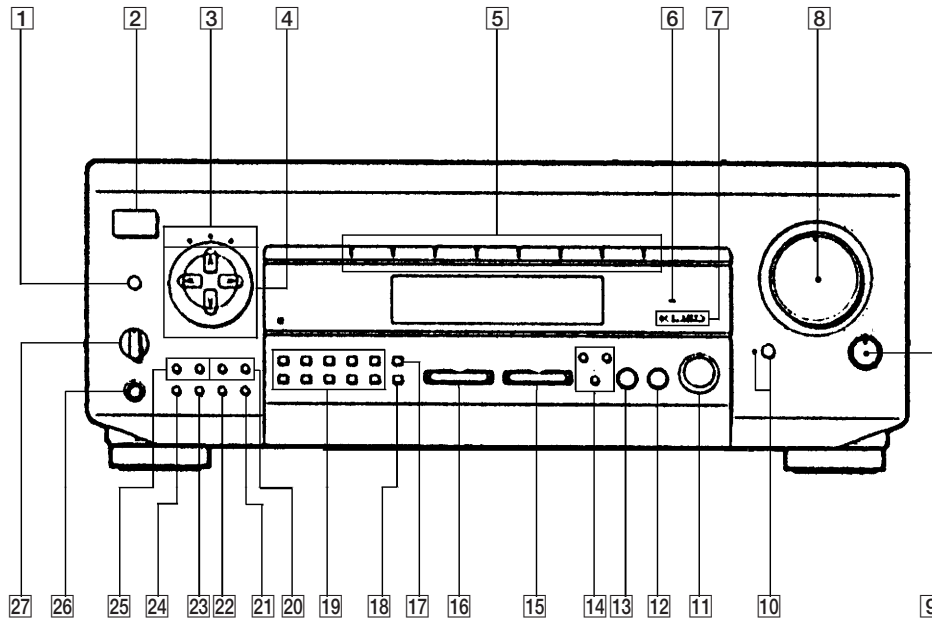
LES COMPOSANTS IDENTIFIÉS PAR UNE MARQUE \triangle SUR LES DIAGRAMMES SCHÉMATIQUES ET LA LISTE DES PIÈCES SONT CRITIQUES POUR LA SÉCURITÉ DE FONCTIONNEMENT. NE REMPLACER CES COMPOSANTS QUE PAR DES PIÈCES SONY DONT LES NUMÉROS SONT DONNÉS DANS CE MANUEL OU DANS LES SUPPLÉMENTS PUBLIÉS PAR SONY.

SECTION 1 GENERAL

This section is extracted from instruction manual.

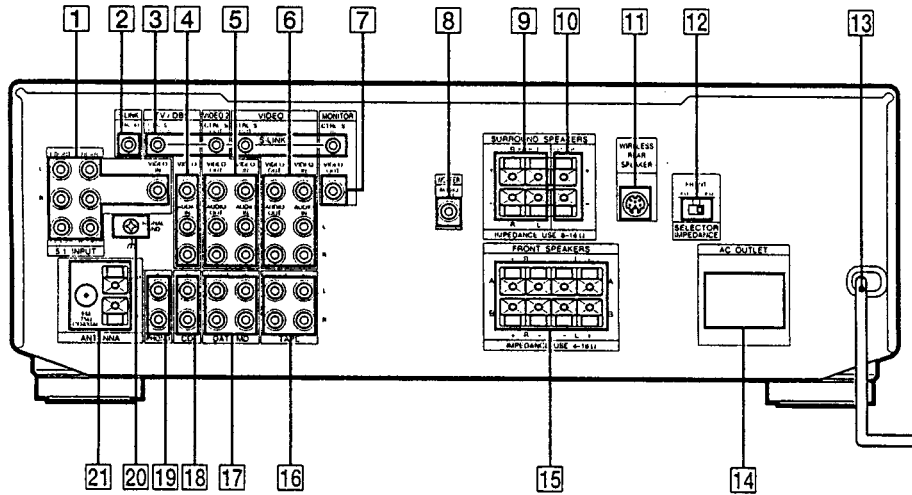
LOCATION AND FUNCTION OF CONTROLS

[FRONT PANEL]



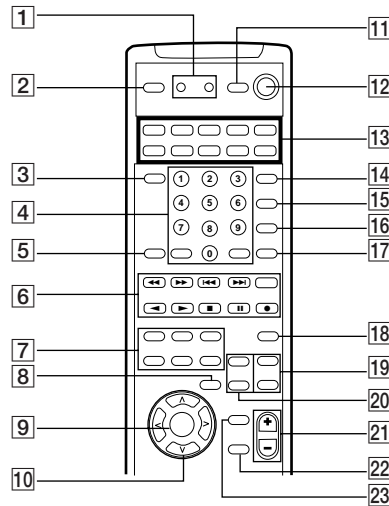
- | | |
|---|------------------------------|
| 1 DPC MODE button | 15 AUDIO FUNCTION buttons |
| 2 POWER switch | 16 VIDEO FUNCTION buttons |
| 3 SUR, TONE, INDEX indicators | 17 DIRECT button |
| 4 Digital processing control buttons | 18 SHIFT button |
| 5 Function indicators | 19 Numeric buttons |
| 6 DIRECT PASS indicator | 20 PRESET TUNING +,- buttons |
| 7 5.1 INPUT indicator | 21 MEMORY button |
| 8 MASTER VOLUME control | 22 DISPLAY button |
| 9 BALANCE control | 23 FM/AM button |
| 10 BASS BOOST button/indicator | 24 FM MODE button |
| 11 SOUND FIELD ON/OFF button | 25 TUNING +,- buttons |
| 12 MODE button | 26 PHONES jack |
| 13 GENRE button | 27 SPEAKERS switch |
| 14 DIRECT PASS, SET UP, 5.1/DVD INPUT buttons | |

[REAR PANEL]



- | | | |
|---|--|---|
| 1 5.1 INPUT | 8 WOOFER | 14 SWITCHED AC OUTLET(s)
(Outlet shape and position varies according to destination) |
| 2 S-LINK CTRL A1 (STR-DE715 :
US, Canadian model) | 9 SURROUND SPEAKERS
(REAR) | 15 FRONT SPEAKERS (A/B) |
| 3 CTRL S (STR-DE715 :
US, Canadian model) | 10 SURROUND SPEAKERS
(CENTER) | 16 TAPE |
| 4 TV/DBS | 11 WIRELESS REAR SPEAKER
(STR-DE715 and DE615 only) | 17 DAT/MD |
| 5 VIDEO 2 | 12 IMPEDANCE SELECTOR | 18 CD |
| 6 VIDEO 1 | 13 AC power cord | 19 PHONO |
| 7 MONITOR | | 20 ϕ SIGNAL GND |
| | | 21 ANTENNA (AM/FM) |

[REMOTE]



- | | |
|---------------------------------------|------------------------------------|
| 1 LEARN button/indicator | 13 SYSTEM CONTROL/FUNCTION buttons |
| 2 SLEEP button | 14 5.1/INPUT button |
| 3 TV CONTROL ON button | 15 TV/VIDEO button |
| 4 Numeric, ENTER buttons | 16 Direct TUNING button |
| 5 BACKGROUND button | 17 CH/PRESET button |
| 6 VCR/CD/DVD control buttons | 18 TEST TONE button |
| 7 SOUND FIELD buttons | 19 CENTER LEVEL +, - buttons |
| 8 DIRECT button | 20 REAR LEVEL +, - buttons |
| 9 DPC MODE button | 21 MASTER VOL buttons |
| 10 DIGITAL PROCESSING CONTROL buttons | 22 MUTING button |
| 11 VISUAL POWER button | 23 BASS BOOST button |
| 12 SYSTEM OFF button | |

SECTION 2 DIAGRAMS

2-1. IC PIN FUNCTION

IC103 MB90673PF-G-196-BND (SYSTEM CONTROL) (STR-D660Z/DE715)

Pin No.	Pin name	I/O	Description
1	AC MUTE	O	AC mute drive.
2	D. LAT	O	Data latch output.
3	T. LAT	O	Tuner function latch output.
4	S. CLK	O	Serial clock output.
5	S. DATA	O	Serial data output.
6	S. LAT	O	Serial latch output.
7	AUTO STOP	O	Tuner auto stop output.
8	T. MUTE	O	Tuner mute output.
9	STEREO	I	Stereo detect signal input.
10	IF DATA IN	I	IF data input.
11	V _{ss} (D)	–	Ground.
12	V-A	O	Video switch control output.
13	V-B	O	Video switch control output.
14	RM INPUT	I	Remote control signal input.
15	V-E	O	Video switch control output.
16	V-INH	–	Not used (Open).
17	LED DATA	O	LED data output.
18	LED CLR	O	LED clock signal output.
19	S. POWER	I	Power switch input.
20	RX (SIN)	–	Not used (Fixed at “ L ”)
21	TX (SOUT)	–	Not used (Open).
22	BUSY	–	Not used (Open).
23	FL CLEAR	O	FL reset signal output.
24	FL DATA	O	FL data output.
25	FL CLK	O	FL clock output.
26	FL LAT	O	FL latch signal output.
27	———	–	Not used (Ground).
28	V _{cc} (A)	–	Analog power supply (+4.9V).
29	+ AVR	–	Connect to V _{DD} (+5.1V).
30	– AVR	–	Not used (Ground).
31	GND (D)	–	Ground.
32	AD KEY IN1	I	Key input.
33	AD KEY IN2	I	Key input.
34	V _{ss} (D)	–	Ground.
35	AD KEY IN3	I	Key input.
36	AD KEY IN4	I	Key input.
37	AD KEY IN5	I	Key input.
38	AD VERSION	I	Model select.
39	VOL +	O	Volume up control output.
40	VOL –	O	Volume down control output.
41	MODE0	–	Not used (Fixed at “ H ”)
42	MODE1	–	Not used (Fixed at “ H ”)
43	MODE2	–	Not used (Ground).
44	STANDBY	–	Connect to V _{DD} (+5.1V).
45	STOP	O	Power ON/OFF control output.

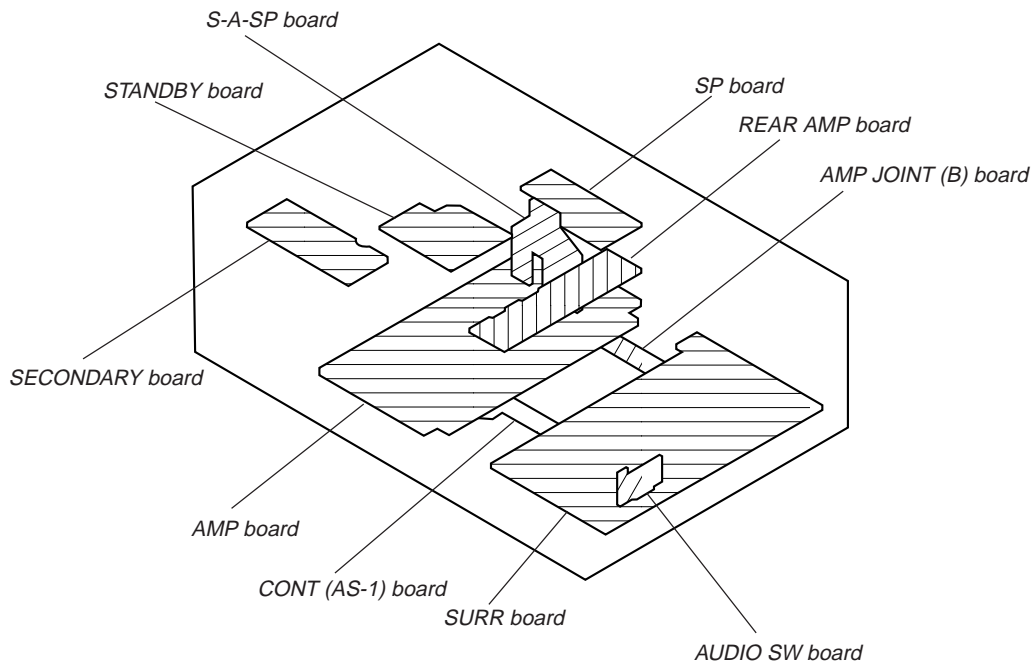
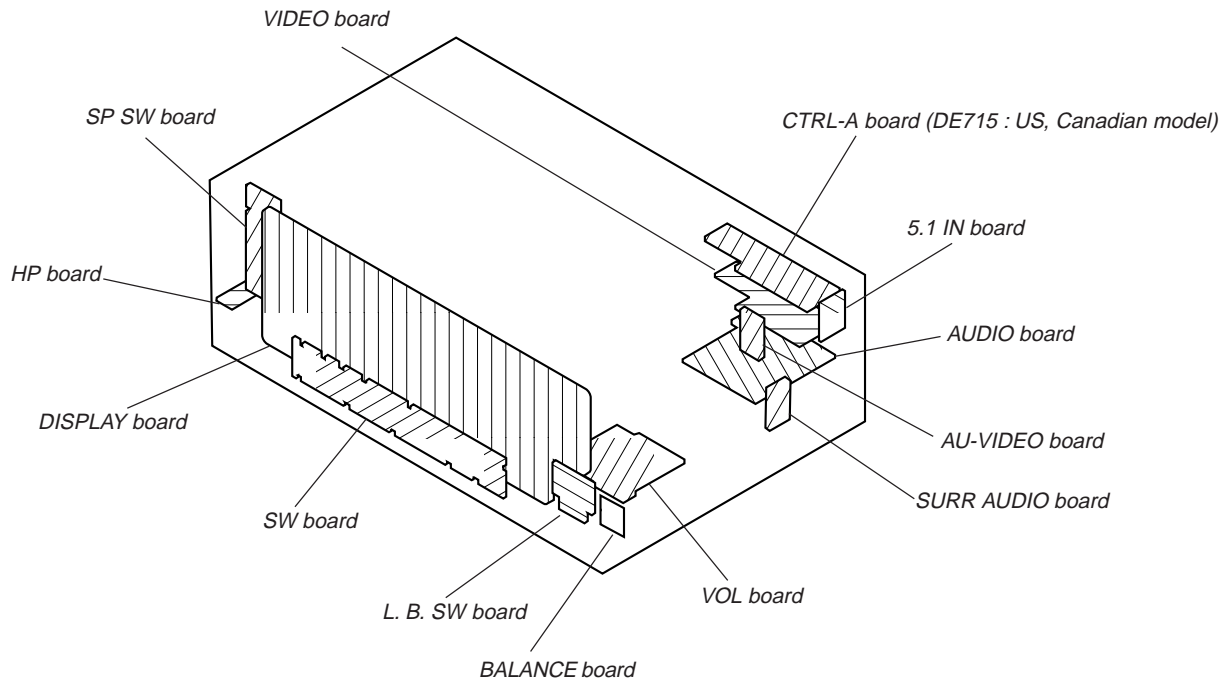
Pin No.	Pin name	I/O	Description
46	LERNING LED	–	Not used (Open).
47	—	–	Not used (Ground).
48	—	–	Not used (Ground).
49	CTR A IN	I	Control S signal input (DE715 : US, Canadian model).
50	STANDBY LED	–	Not used (Open).
51	VOL LED	O	Volume LED drive.
52	S-OUT	O	Control S signal output (DE715 : US, Canadian model).
53	CTR A OUT	O	Control S signal output (DE715 : US, Canadian model).
54	VIDEO1 (M-BUS)	O	VIDEO1 control signal output.
55	VIDEO2 (M-BUS)	O	VIDEO2 control signal output.
56	TV (M-BUS)	O	TV control signal output.
57	—	–	Not used (Ground).
58	SP OFF IN	I	Speaker switch input.
59	SIGNAL IN	–	Not used (Ground).
60	—	–	Not used (Ground).
61	—	–	Not used (Ground).
62	RESET	I	Reset terminal.
63	V _{ss} (D)	–	Ground.
64	XO	O	System clock (4.19MHZ).
65	XI	I	System clock (4.19MHZ).
66	V _{cc} (D)	–	Digital power supply (+4.9V).
67	—	–	Not used (Ground).
68	POWER RY	O	Power relay drive.
69	BRIDGE RY	–	Power key input.
70	SUR RY	O	Surround relay drive.
71	CENTER RY	O	Center relay drive.
72	FRONT RY (H,P)	O	Front (Headphone) relay drive.
73	MIX/SUB RY	O	Woofer relay drive.
74	4/8 IN	–	Not used (Ground).
75	PROTECT IN	I	Protector operation input.
76	DIRECT PASS	O	Direct pass relay drive.
77	BASS BOOST	O	Bass boost ON/OFF control.
78	F/C/W MUTE	O	Front, Center, Woofer mute drive.
79	SL MUTE	O	Surround L-CH mute drive.
80	SR MUTE	O	Surround R-CH mute drive.

IC103 μ PD780205GF-027-3BA (SYSTEM CONTROL) (STR-D560Z/DE615)

Pin No.	Pin name	I/O	Description
1	—	–	Not used (Connect to V _{DD}).
2 – 4	—	–	Not used (Connect to ground).
5	F/C/W. MUTE	O	Front, Center, Woofer mute drive.
6	SL MUTE	O	Surround L-CH mute drive.
7	SR MUTE	O	Surround R-CH mute drive.
8	AC MUTE	O	AC mute drive.
9	D LATCH	O	Data latch output.
10	RESET	I	Reset terminal.
11	X2	O	System clock (4.19MHZ).
12	X1	I	System clock (4.19MHZ).
13	VSS	–	Ground.
14	NP	–	Not used (Open).
15	—	–	Connect to reset terminal.
16	V _{DD}	–	Power supply (+5V).
17	T LATCH	O	Tuner function latch output.
18	S CLOCK	O	Serial clock output.
19	S DATA	O	Serial data output.
20	S LATCH	O	Serial latch output.
21	AUDIO. STOP	O	Tuner auto stop output.
22	TUNER MUTE	O	Tuner mute output.
23	STEREO	I	Stereo detect signal input.
24	IF DATA IN	I	IF data input.
25	GND A/D	–	Ground.
26	SIRCS	I	Remote control signal input.
27	POWER KEY	I	Power key input.
28	VERSION	I	Model select input.
29	KEY 5	I	Key input.
30	KEY 4	I	Key input.
31	KEY 3	I	Key input.
32	KEY 2	I	Key input.
33	KEY 1	I	Key input.
34	V _{DD} A/D	–	Power supply (+5V).
35	VREF A/D	I	Reference voltage input.
36	V-A	O	Video switch control output.
37	V-B	O	Video switch control output.
38	V-E	O	Video switch control output.
39	STOP	O	Power ON/OFF control output.
40	V _{SS}	–	Ground.
41	DIRECT PASS	O	Direct pass relay drive.
42	SUR RY	O	Surround relay drive.
43	CENTER RY	O	Center relay drive.
44	FRONT RY	O	Front relay drive.
45	MIX SUB RY	O	Woofer relay drive.

Pin No.	Pin name	I/O	Description
46	V _{DD}	–	Power supply (+5V).
47	PROTECTOR IN	I	Protector operation input.
48	POWER RY	O	Power relay drive.
49	BASS BOOST	O	Bass boost ON/OFF control.
50	SP OFF	I	Speaker switch input.
51	VOL –	O	Volume down control output.
52	VOL +	O	Volume up control output.
53	VOL LED	O	Volume LED drive.
54	STANDBY LED	–	Not used (Open).
55	—	–	Not used (Open).
56	BASS BOOST LED	O	BASS BOOST LED drive.
57	5.1 INPUT LED	O	5.1 INPUT LED drive.
58	DIRECT PASS LED	O	DIRECT PASS LED drive.
59	SUR LED	O	SUR LED drive.
60	TONE LED	O	TONE LED drive.
61	VIDEO 1 LED	O	VIDEO 1 LED drive.
62	INDEX LED	O	INDEX LED drive.
63	PHONO LED	O	PHONO LED drive.
64	TUNER LED	O	TUNER LED drive.
65	DAT MD LED	O	DAT/MD LED drive.
66	CD LED	O	CD LED drive.
67	TAPE LED	O	TAPE LED drive.
68	TV/DBS LED	O	TV/DBS LED drive.
69	VIDEO2 LED	O	VIDEO2 LED drive.
70 – 78	P1 – P9	O	FL segment drive.
79	V LOARD	–	FL power supply (– 35V).
80 – 87	P10 – P17	O	FL segment drive.
88 – 100	G1 – G13	O	FL segment drive.

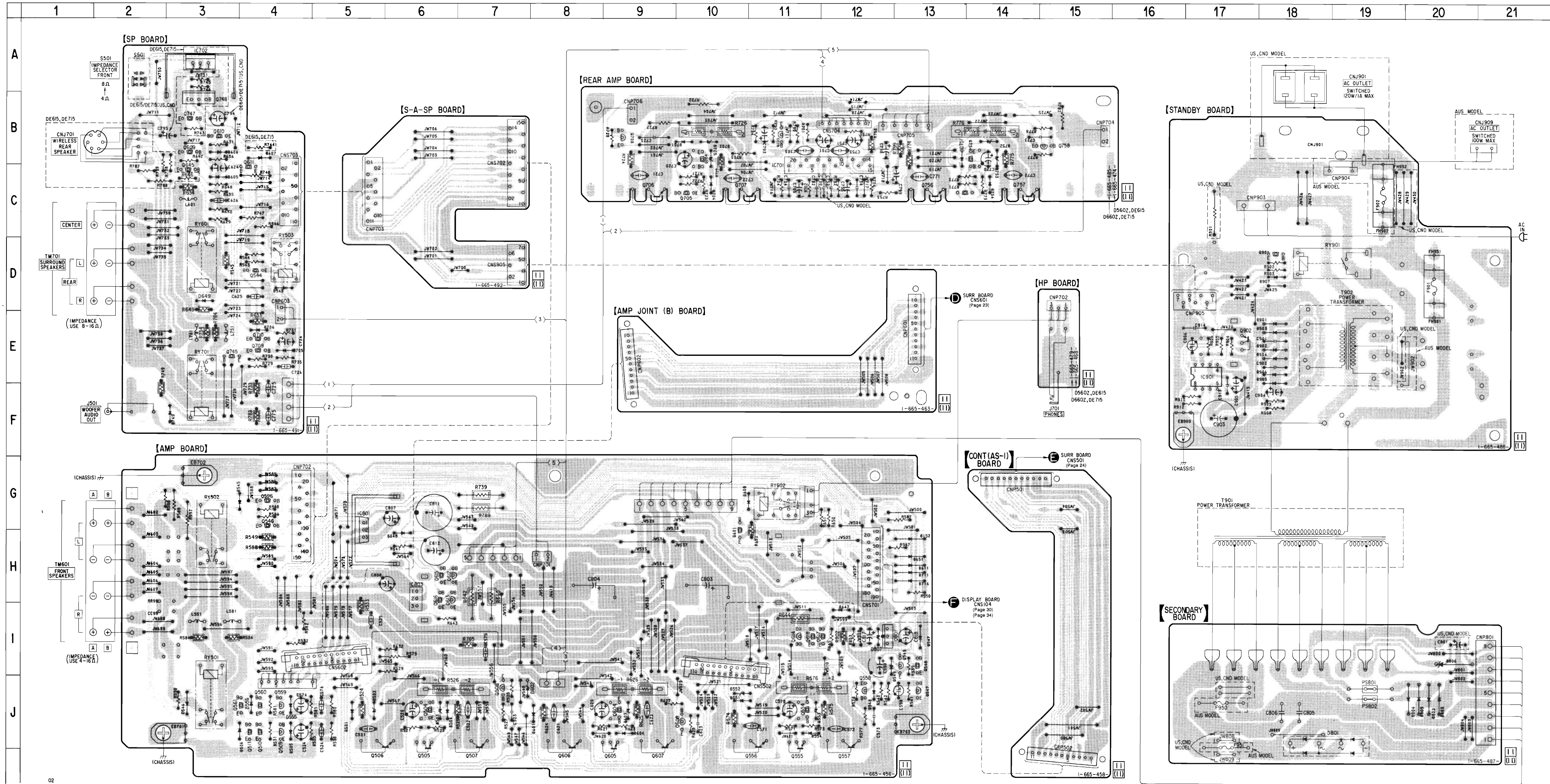
2-2. CIRCUIT BOARDS LOCATIONS



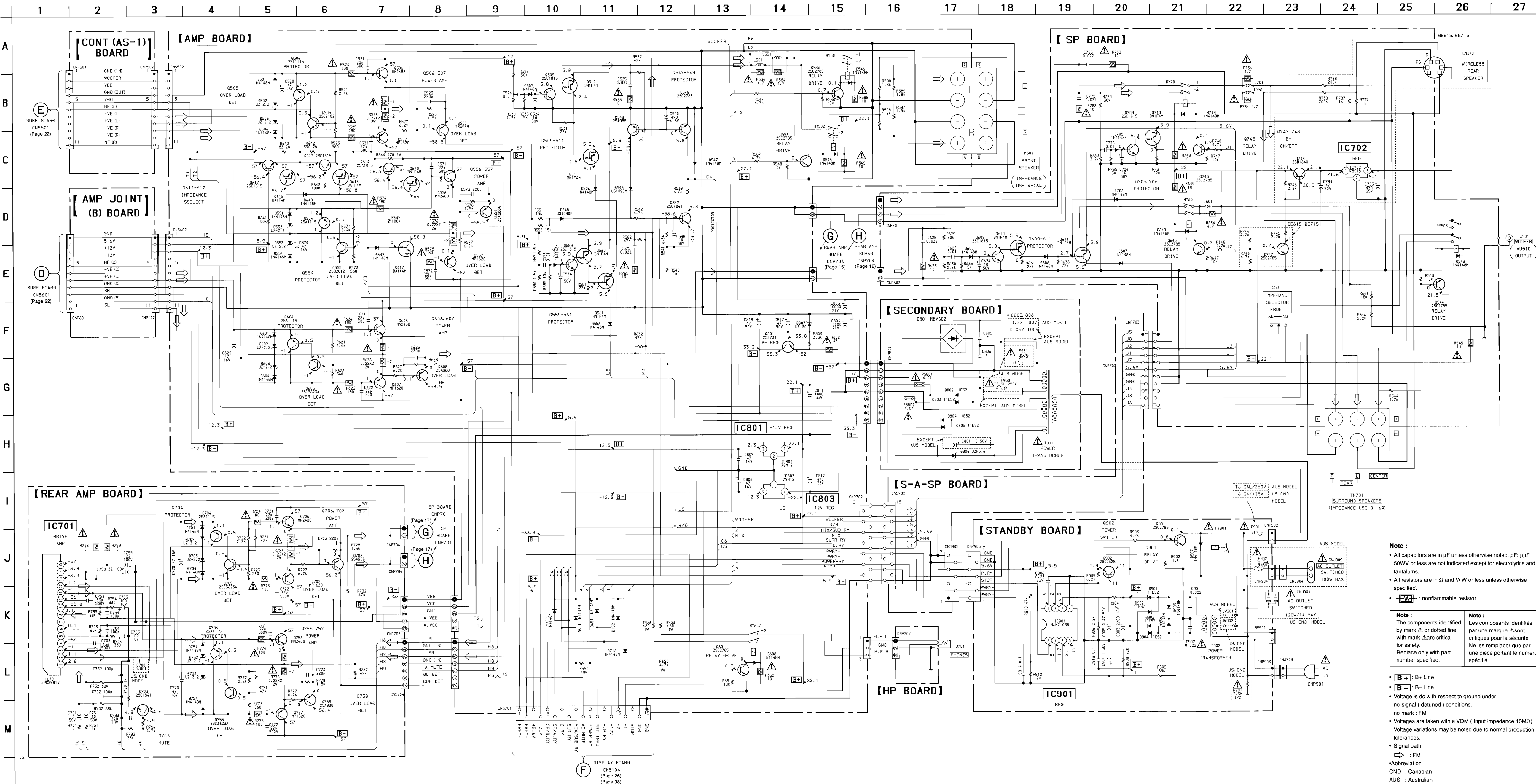
● SEMICONDUCTOR LOCATION

Ref. No.	Location	Ref. No.	Location	Ref. No.	Location
D152	H-13	D752	B-14	Q559	J-4
D501	J-5	D753	B-14	Q560	J-4
D502	J-5	D754	C-14		
D503	J-6			Q561	J-4
D504	J-6	D801	J-18	Q596	G-4
		D802	J-20	Q601	H-10
D505	J-4	D803	J-20	Q604	J-9
D506	J-4	D804	J-20	Q605	J-9
D543	D-4	D805	J-20		
D545	G-4			Q606	J-8
D546	J-3	D806	I-20	Q607	J-9
		D807	I-12	Q608	J-10
D547	I-13	D901	E-18	Q609	B-3
D548	J-12	D902	E-18	Q610	B-3
D549	I-12	D903	E-18		
D551	J-10			Q611	C-4
D552	J-10	D904	E-18	Q612	H-6
		D905	E-18	Q613	H-6
D553	J-11	D906	E-18	Q614	I-11
D554	J-11	D907	D-18	Q615	H-6
D555	J-4			Q616	H-6
D556	J-4	IC701	B-11	Q617	I-12
D601	J-8	IC702	A-3	Q618	I-11
		IC801	G-5	Q645	C-3
D602	J-7	IC803	H-6	Q651	
D603	J-9	IC901	E-17		
D604	J-9			Q703	B-11
D605	C-3			Q704	B-10
D606	B-3	Q504	J-6	Q705	C-10
		Q505	J-6	Q706	C-9
D607	B-4	Q506	J-5	Q707	C-10
D608	G-10	Q507	J-7		
D611	H-13	Q508	J-7	Q708	B-9
D647	I-12			Q709	E-4
D648	H-6	Q509	J-4	Q710	E-4
		Q510	J-4	Q745	E-3
D649	D-3	Q511	J-4	Q747	B-3
D651	H-13	Q544	D-4		
D701	B-10	Q546	G-4	Q748	B-3
D702	B-10			Q754	B-14
D703	B-10	Q547	J-13	Q755	C-13
		Q548	I-13	Q756	C-13
D704	C-10	Q549	I-13	Q757	C-14
D705	E-4	Q554	J-11		
D706	E-4	Q555	J-11	Q758	B-15
D711	H-13	Q556	J-11	Q801	I-12
D716	H-13	Q557	J-12	Q901	D-18
		Q558	J-12	Q902	E-17
D749	F-3				
D751	B-13				

Note:
 ○ : parts extracted from the component side.
 □ : Pattern on the side which is seen.
 • Abbreviation
 CND : Canadian
 AUS : Australian



2-4. SCHEMATIC DIAGRAM - AMP SECTION - Refer to page 41 for IC Block Diagrams.



Note:

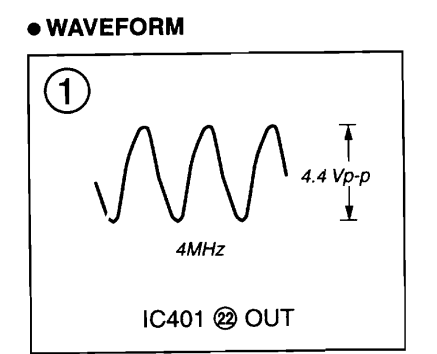
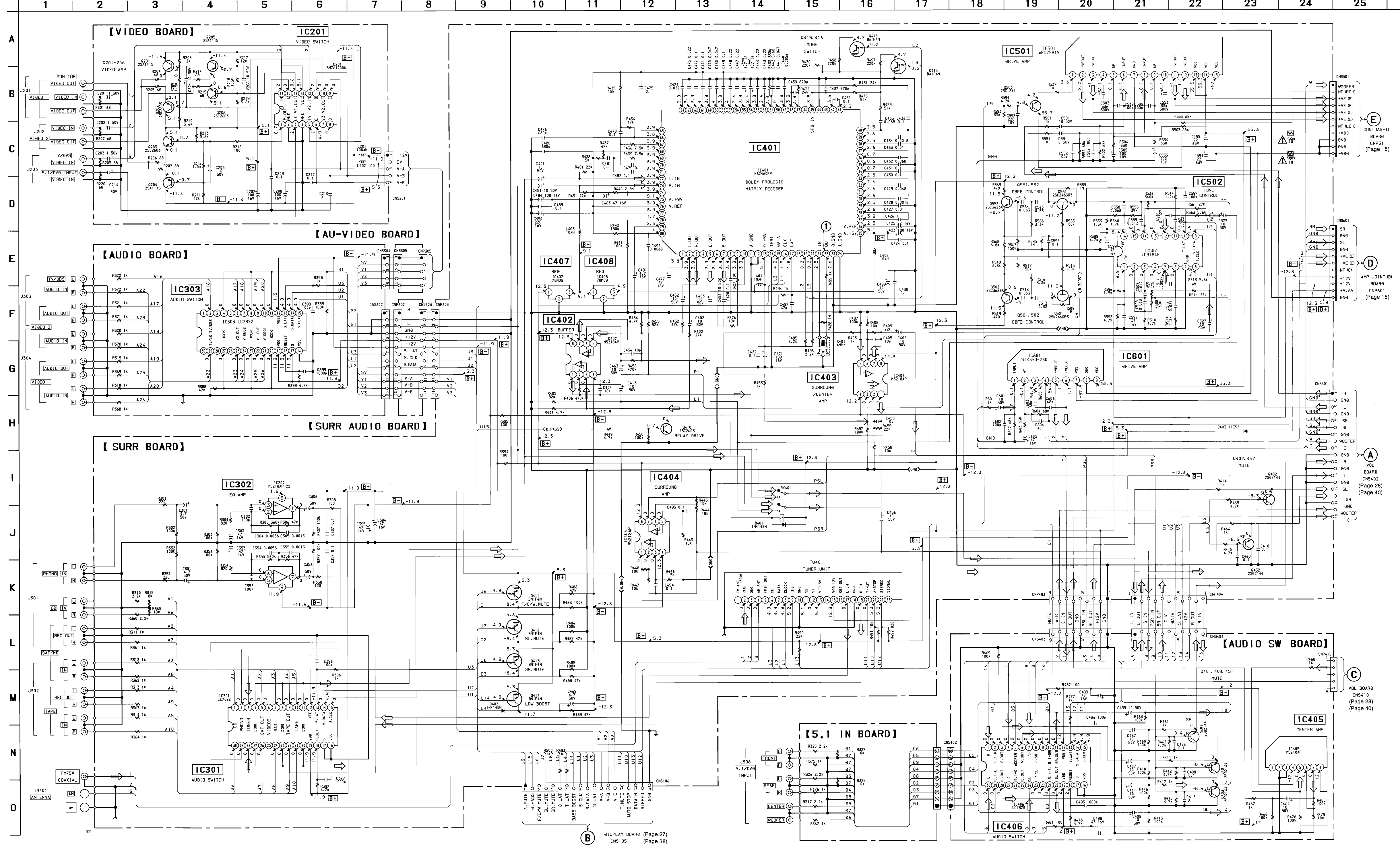
- All capacitors are in μF unless otherwise noted. pF: pF; μF : μF
- 500W or less are not indicated except for electrolytics and tantalums.
- All resistors are in Ω and $1/4\text{W}$ or less unless otherwise specified.
- \square : nonflammable resistor.

Note:

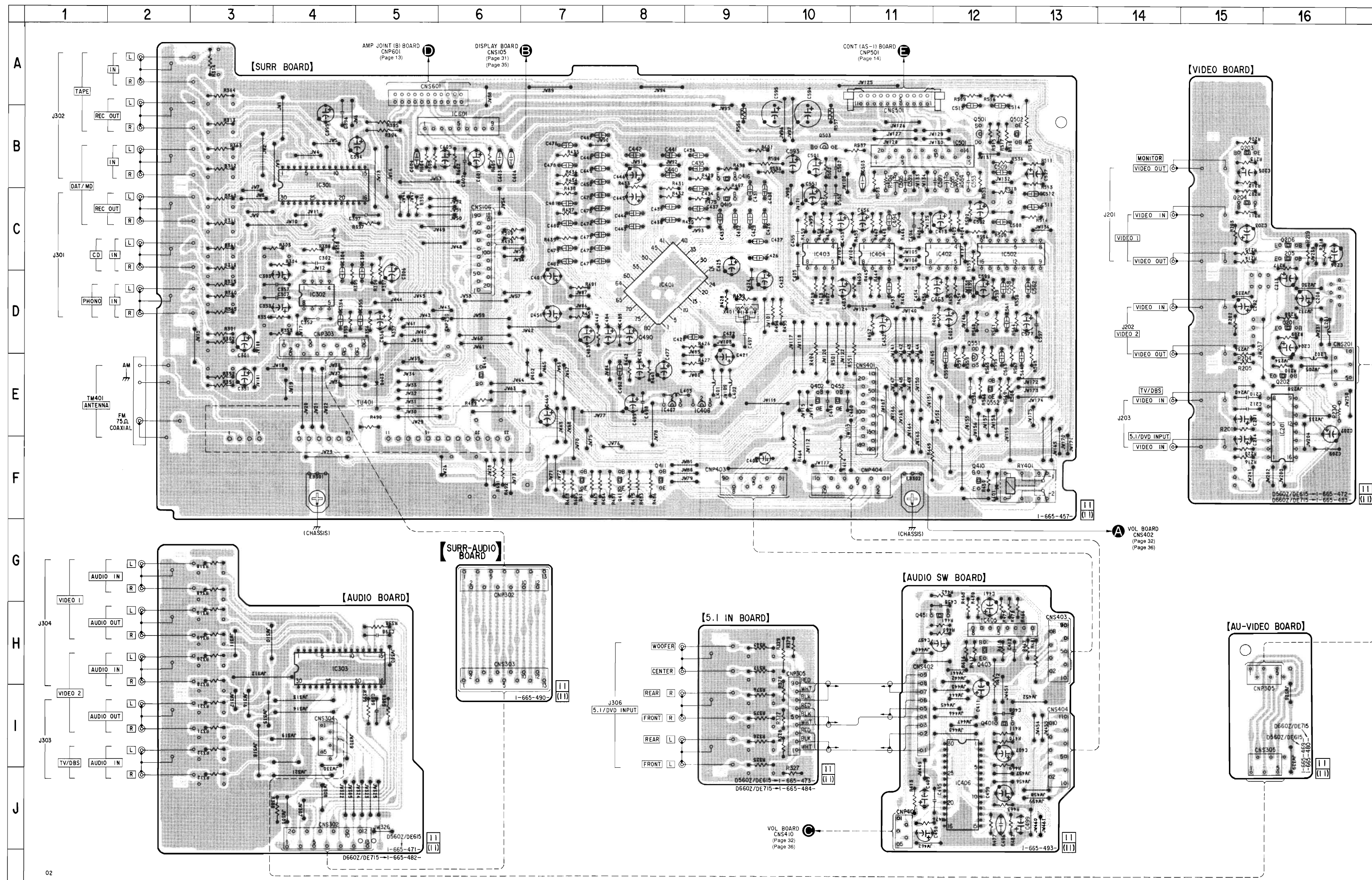
The components identified by mark Δ or dotted line with mark Δ are critical for safety. Replace only with part number specified.

Les composants identifiés par une marque Δ sont critiques pour la sécurité. Ne les remplacer que par une pièce portant le numéro spécifié.

- $\text{B}+$: B+ Line
- $\text{B}-$: B- Line
- Voltage is dc with respect to ground under no-signal (detuned) conditions.
- no mark: FM
- Voltagés are taken with a VOM (Input impedance 10M Ω). Voltage variations may be noted due to normal production tolerances.
- Signal path: FM
- Abbreviation: CND: Canadian; AUS: Australian



- Note :**
- All capacitors are in μF unless otherwise noted. pF, μM , 50WV or less are not indicated except for electrolytics and tantalums.
 - All resistors are in Ω and $\frac{1}{2}W$ or less unless otherwise specified.
 - Δ : Internal component.
 - B+** : B- Line
 - B-** : B- Line
 - Voltage and waveforms are dc with respect to ground under no-signal (detuned) conditions.
 - no mark : FM
 - Voltages are taken with a VOM (Input impedance 10M Ω). Voltage variations may be noted due to normal production tolerances.
 - Waveforms are taken with an oscilloscope. Voltage variations may be noted due to normal production tolerances.
 - Circled numbers refer to waveforms.
 - Signal path.
 - \Rightarrow : FM



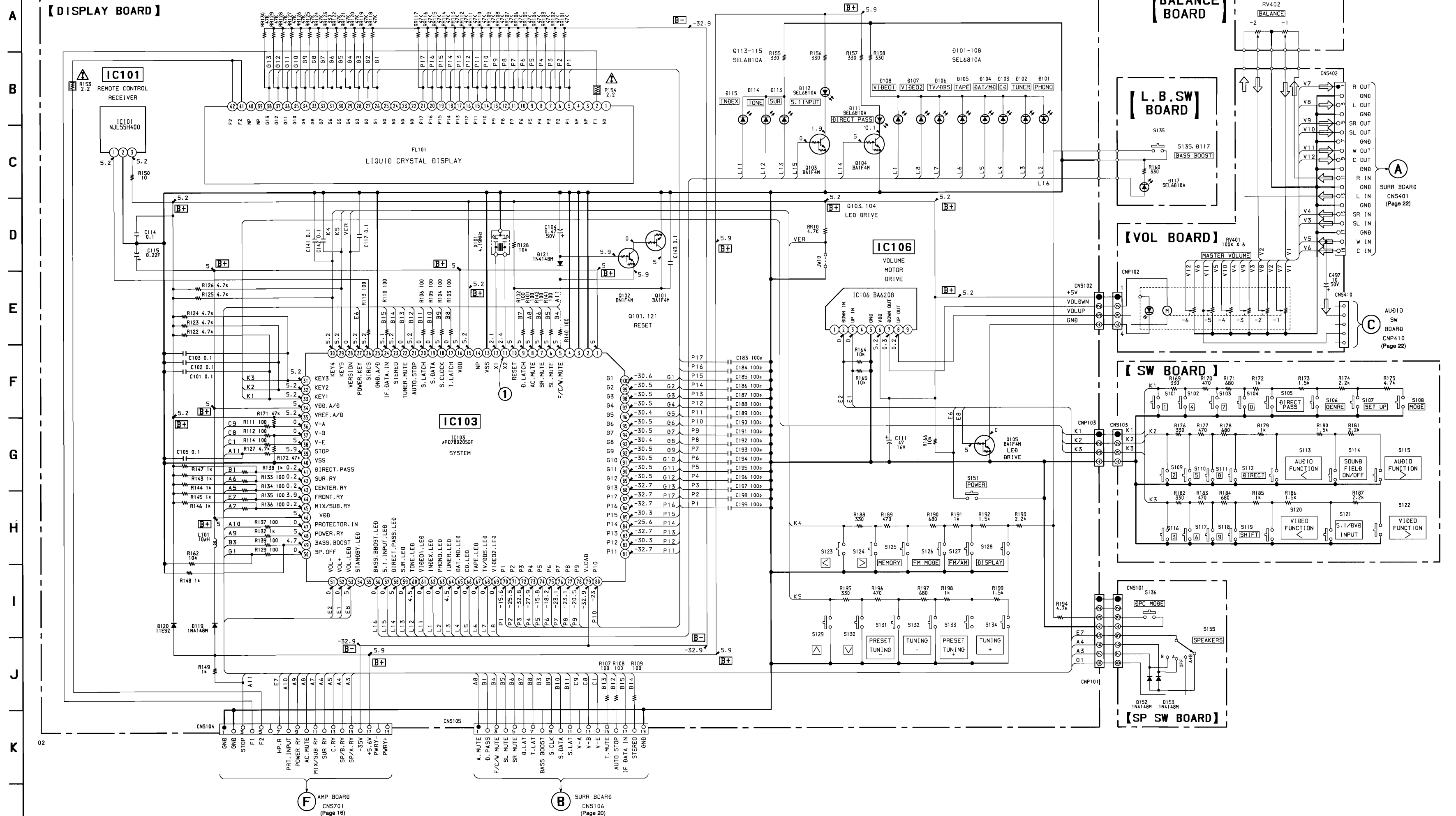
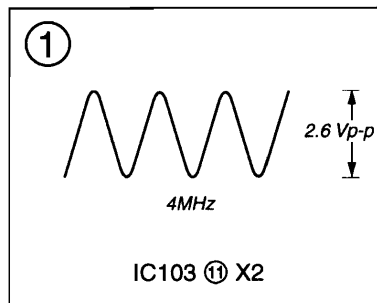
● SEMICONDUCTOR LOCATION

Ref. No.	Location
D401	F-12
D402	E-7
D403	E-5
IC201	E-16
IC301	B-4
IC302	D-4
IC303	H-4
IC401	D-8
IC402	C-12
IC403	C-10
IC404	C-11
IC405	H-12
IC406	J-12
IC407	E-8
IC408	E-9
IC501	B-11
IC502	C-12
IC601	B-6
Q201	D-16
Q202	E-16
Q203	B-15
Q204	C-15
Q205	C-16
Q206	C-16
Q401	I-12
Q402	E-10
Q403	H-12
Q410	F-12
Q411	F-8
Q412	F-8
Q413	F-7
Q414	E-6
Q415	C-9
Q416	B-9
Q417	
Q418	
Q451	H-12
Q452	E-10
Q501	B-12
Q502	B-13
Q503	B-10
Q551	E-12
Q552	E-12

Note:

- — parts extracted from the component side.
- ⊙ — Pattern on the side which is seen.

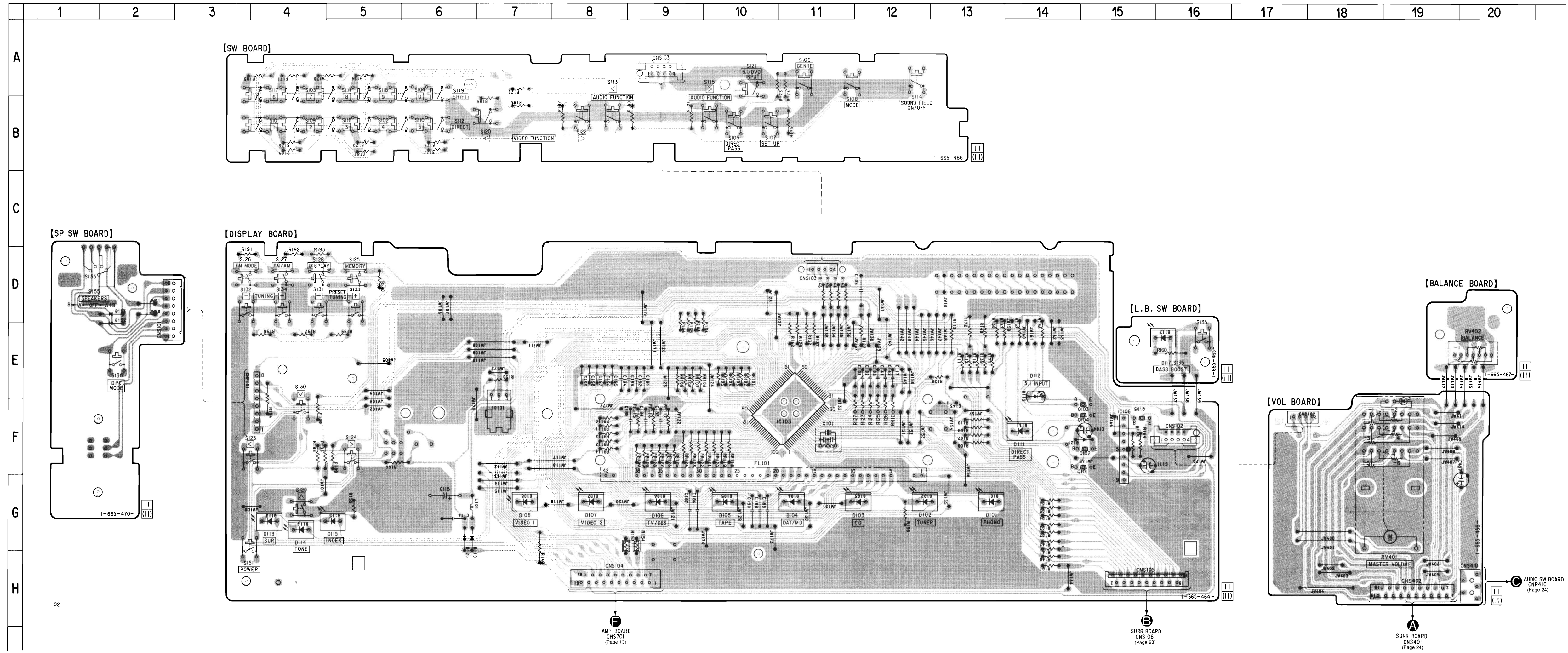
● WAVEFORM



- Note :**
- All capacitors are in μF unless otherwise noted. pF: μF 50WV or less are not indicated except for electrolytics and tantalums.
 - All resistors are in Ω and $\frac{1}{4}W$ or less unless otherwise specified.
 - Δ : internal component.
 - \square : nonflammable resistor.

<p>Note : The components identified by mark Δ or dotted line with mark \square are critical for safety. Replace only with part number specified.</p>	<p>Note : Les composants identifiés par une marque Δ sont critiques pour la sécurité. Ne les remplacer que par une pièce portant le numéro spécifié.</p>
--	---

- B+** : B+ Line
- B-** : B- Line
- Voltage and waveforms are dc with respect to ground under no-signal (detuned) conditions. no mark : FM
- Voltages are taken with a VOM (Input impedance 10M Ω). Voltage variations may be noted due to normal production tolerances.
- Waveforms are taken with an oscilloscope. Voltage variations may be noted due to normal production tolerances.
- Circled numbers refer to waveforms.
- Signal path.
- \Rightarrow : FM
- Abbreviation
CND : Canadian
AUS : Australian



● SEMICONDUCTOR LOCATION

Ref. No.	Location
D101	G-13
D102	G-12
D103	G-12
D104	G-11
D105	G-10
D106	G-9
D107	G-8
D108	G-7
D111	F-14
D112	E-14
D113	G-4
D114	G-4
D115	G-5
D117	E-16
D119	G-6
D120	G-6
D121	F-15
D152	D-2
D153	D-2
IC101	F-7
IC103	F-11
IC106	F-15
Q101	F-15
Q102	F-15
Q103	F-15
Q104	F-15
Q105	F-15

AMP BOARD
CNS701
(Page 13)

SURR BOARD
CNS401
(Page 23)

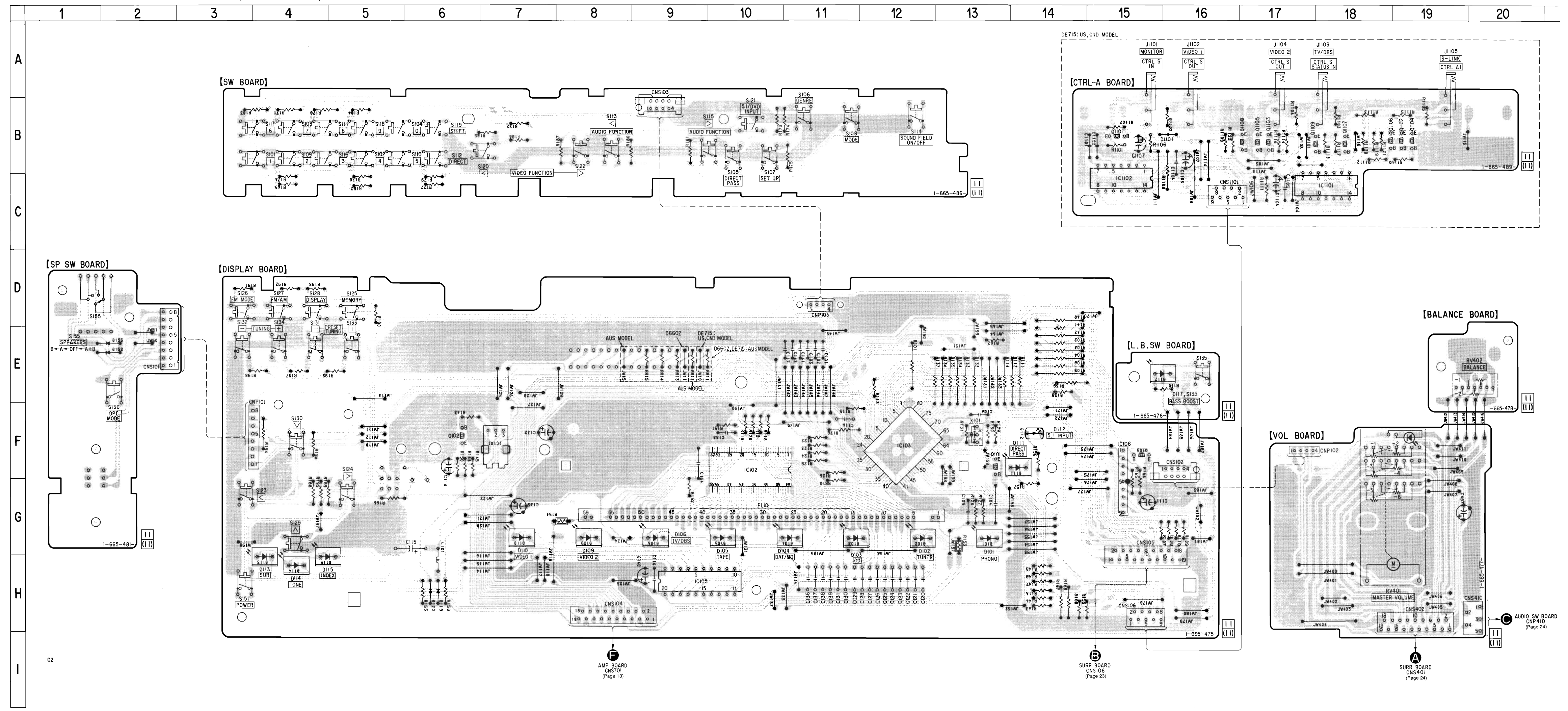
SURR BOARD
CNS401
(Page 24)

AUDIO SW BOARD
CNP410
(Page 24)

Note:
 • ○ : parts extracted from the component side.
 • ■ : Pattern on the side which is seen.
 *Abbreviation
 CND : Canadian
 AUS : Australian

● SEMICONDUCTOR LOCATION

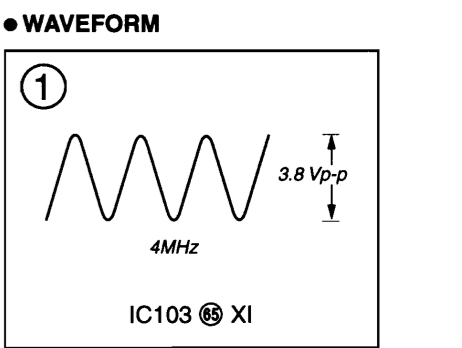
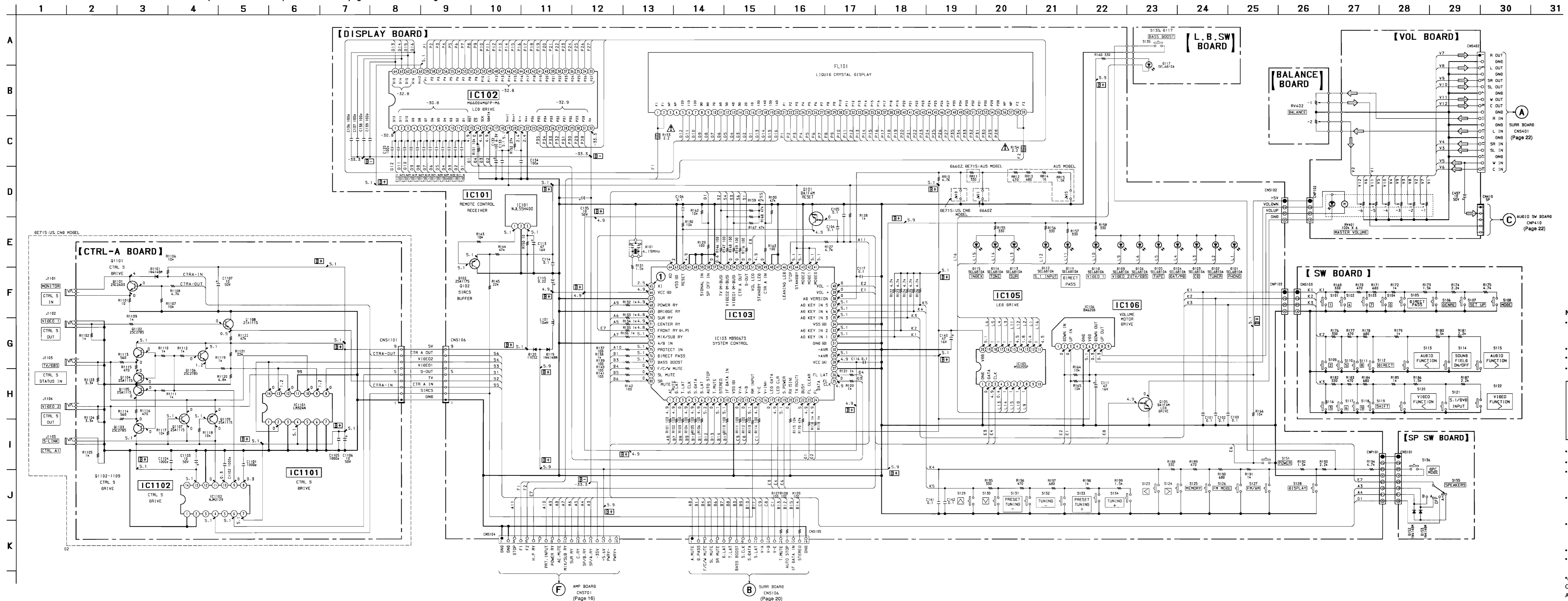
Ref. No.	Location
D101	G-13
D102	G-12
D103	G-11
D104	G-11
D105	G-10
D106	G-9
D109	G-8
D110	G-7
D111	F-14
D112	F-14
D113	H-4
D114	H-4
D115	H-4
D117	E-15
D119	H-6
D120	H-6
D152	E-2
D153	E-2
D1101	B-16
IC101	F-7
IC102	F-10
IC103	F-12
IC105	H-9
IC106	F-15
IC1101	C-18
IC1102	C-15
Q101	F-13
Q102	F-6
Q105	F-15
Q1101	B-15
Q1102	B-19
Q1103	B-17
Q1104	B-19
Q1105	B-17
Q1106	B-18
Q1107	B-18
Q1108	B-17
Q1109	B-18



Note:

- — parts extracted from the component side.
- ▨ — Pattern on the side which is seen.
- Abbreviation
- CND : Canadian
- AUS : Australian

2-10. SCHEMATIC DIAGRAM – DISPLAY SECTION (STR-D660Z/DE715) – Refer to page 43 for IC Block Diagrams.



Note :

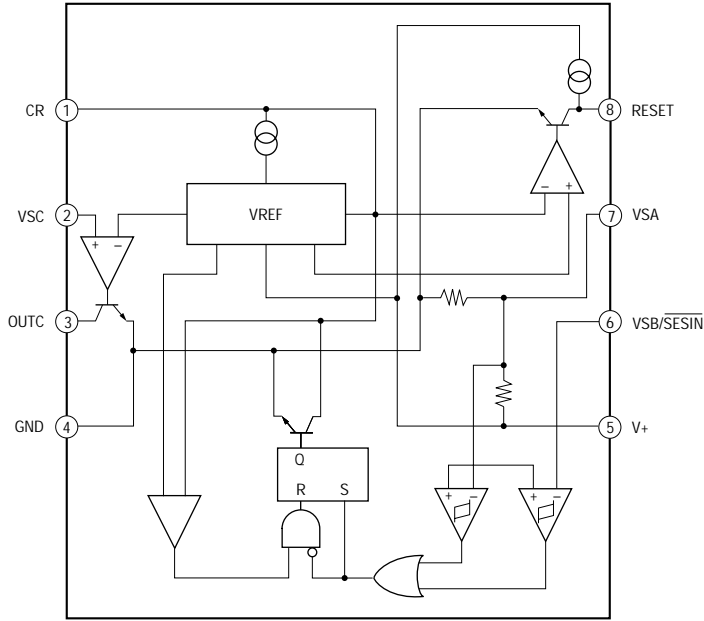
- All capacitors are in μF unless otherwise noted. pF : μF 50WV or less are not indicated except for electrolytics and tantalums.
- All resistors are in Ω and $1/4\text{W}$ or less unless otherwise specified.
- Δ : internal component.
- \square : nonflammable resistor.

Note :
The components identified by mark Δ or dotted line with mark Δ are critical for safety. Replace only with part number specified.

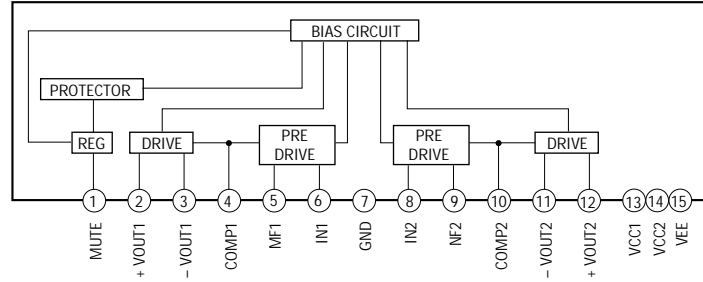
Note :
Les composants identifiés par une marque Δ sont critiques pour la sécurité. Ne les remplacer que par une pièce portant le numéro spécifié.

- [B+]** : + Line
- [B-]** : - Line
- Voltage and waveforms are dc with respect to ground under no-signal (detuned) conditions. no mark : FM
- Waveforms are taken with a VOM (Input impedance 10M Ω). Voltage variations may be noted due to normal production tolerances.
- Waveforms are taken with an oscilloscope. Voltage variations may be noted due to normal production tolerances.
- Circled numbers refer to waveforms.
- Signal path.
- \Rightarrow : FM
- : Abbreviation
- CND : Canadian
- AUS : Australian

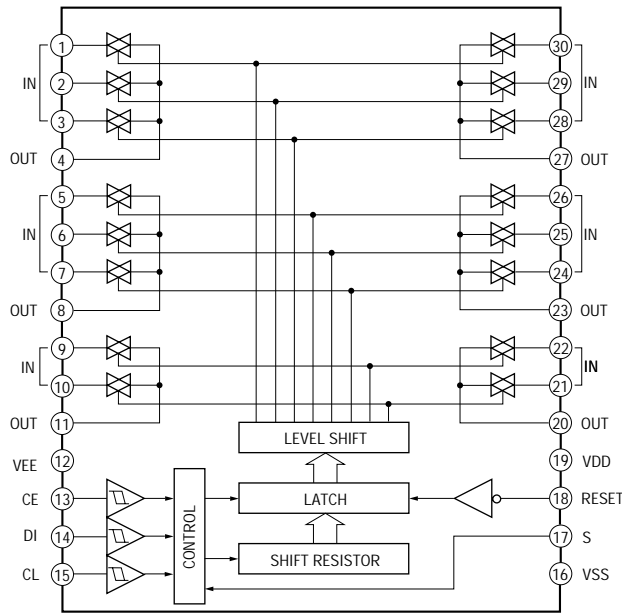
● IC BLOCK DIAGRAMS (AMP)
IC901 NJM2103D



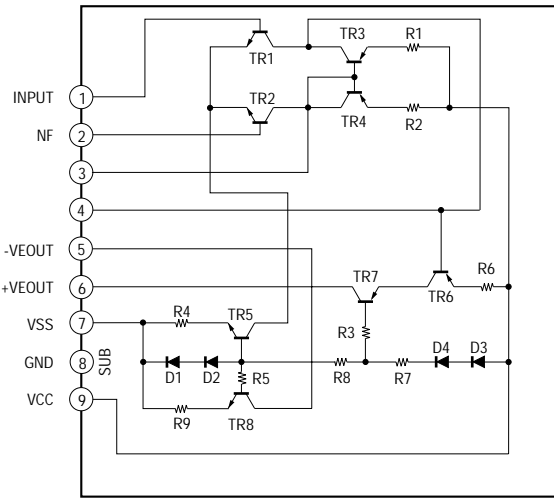
IC701 uPC2581V



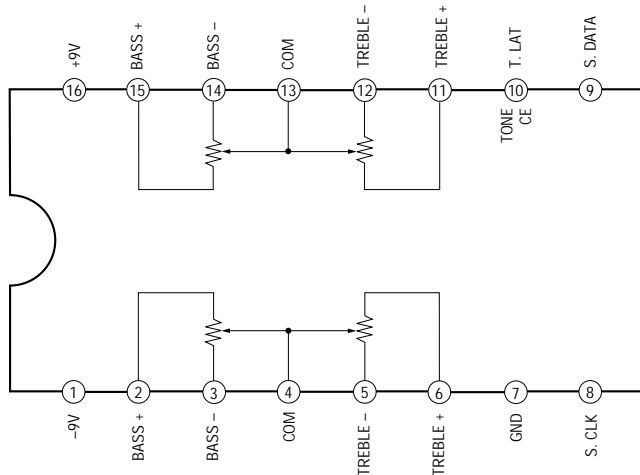
● IC BLOCK DIAGRAMS (SURROUND)
IC301, IC303 LC7822



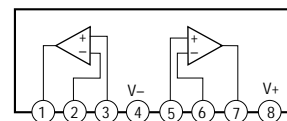
IC601 STK350-230



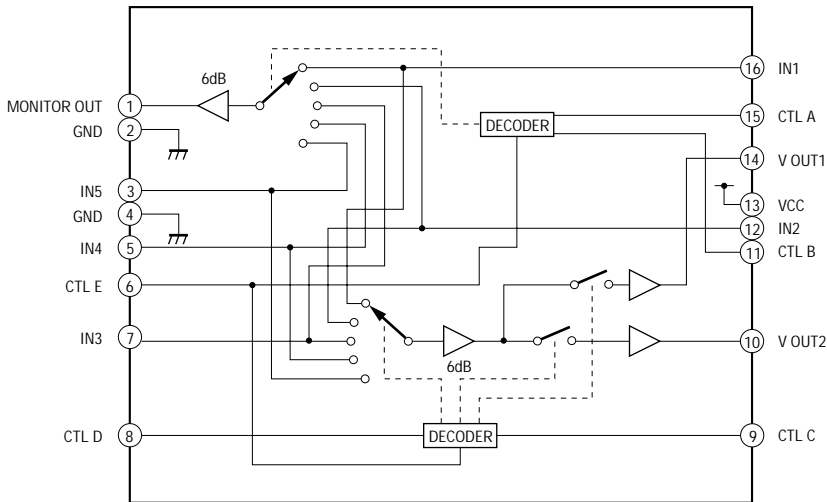
IC502 TC9184P



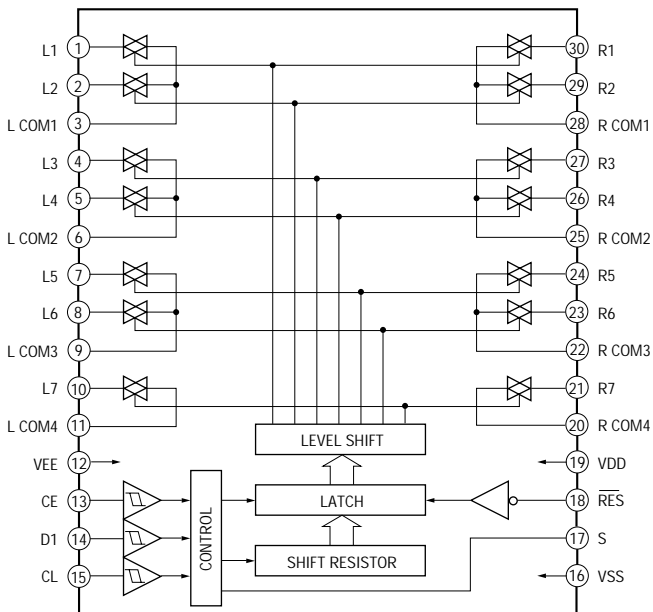
IC405 M5218AL



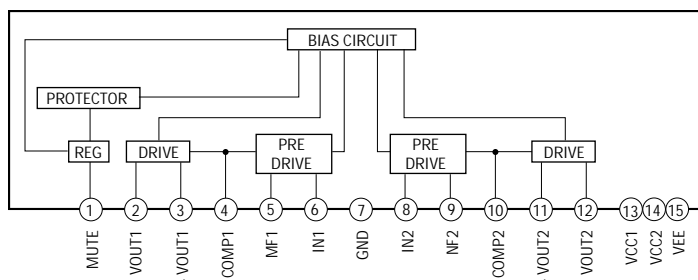
IC201 SN761200



IC406 LC7823

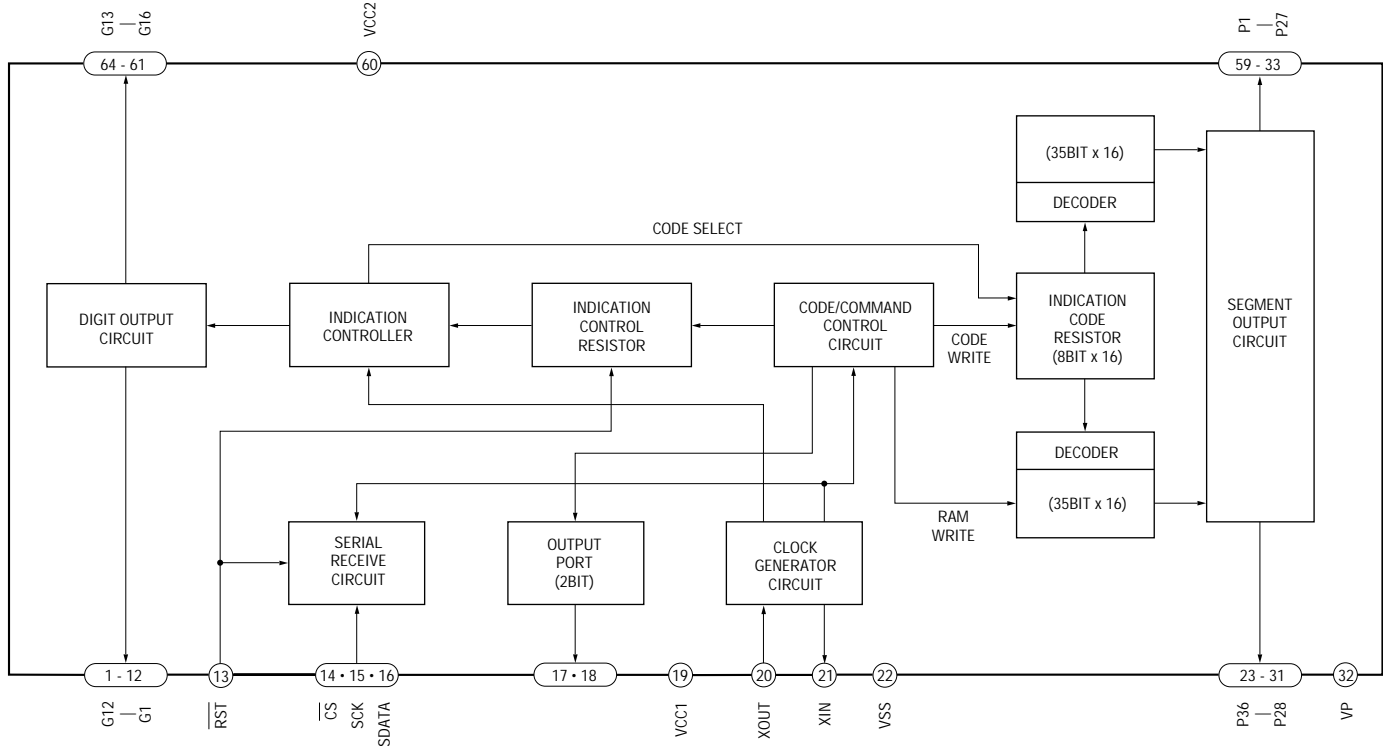


IC501 uPC2581V

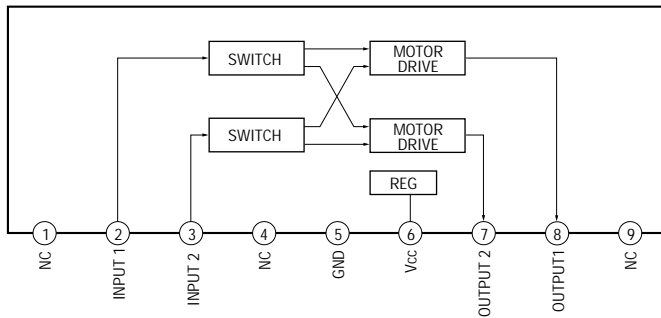


● IC BLOCK DIAGRAMS (DISPLAY)

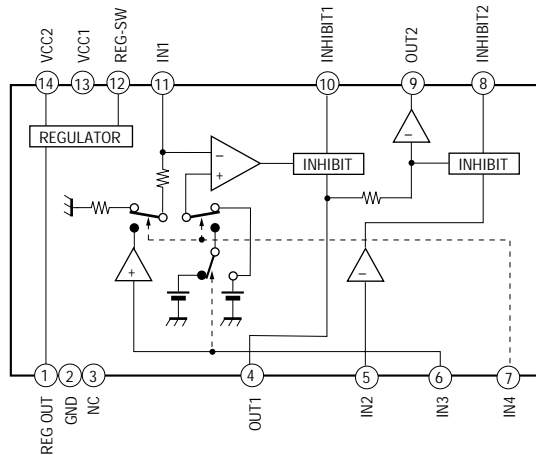
IC102 M66004FP-M6 (STR-D660Z/DE715)



IC106 BA6208 (STR-D550Z/D660Z/DE615/DE715)



IC1102 NJM2129D (STR-D660Z/DE715)



SECTION 3 EXPLODED VIEWS

NOTE :

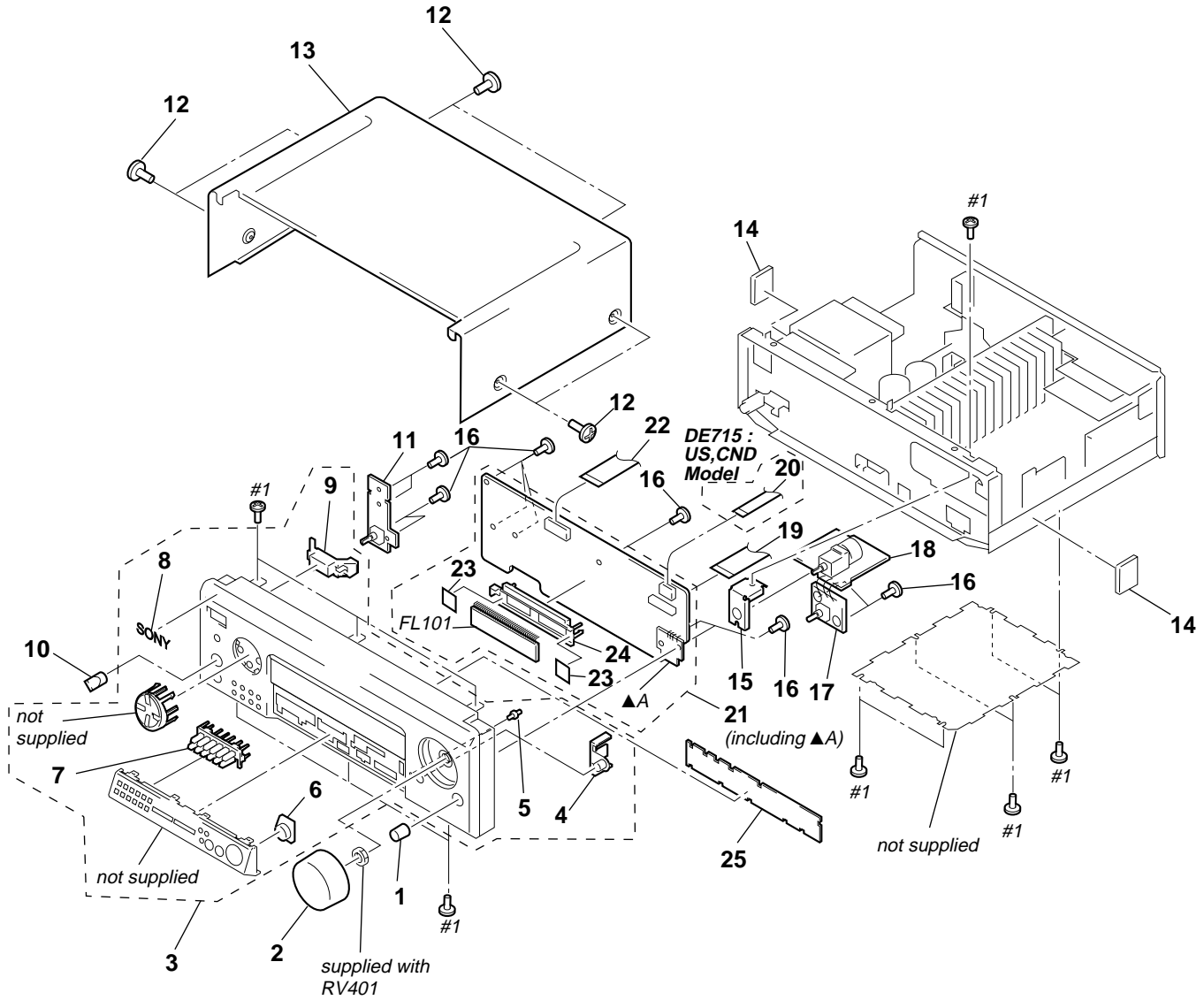
- -XX, -X mean standardized parts, so they may have some difference from the original one.
- Items marked “*” are not stocked since they are seldom required for routine service. Some delay should be anticipated when ordering these items.
- The mechanical parts with no reference number in the exploded views are not supplied.
- Hardware (# mark) list and accessories and packing materials are given in the last of this parts list.
- Abbreviation
 CND : Canadian
 AUS : Australian

The components identified by mark \triangle or dotted line with mark \triangle are critical for safety.
 Replace only with part number specified.

Les composants identifiés par une marque \triangle sont critiques pour la sécurité.
 Ne les remplacer que par une pièce portant le numéro spécifié.

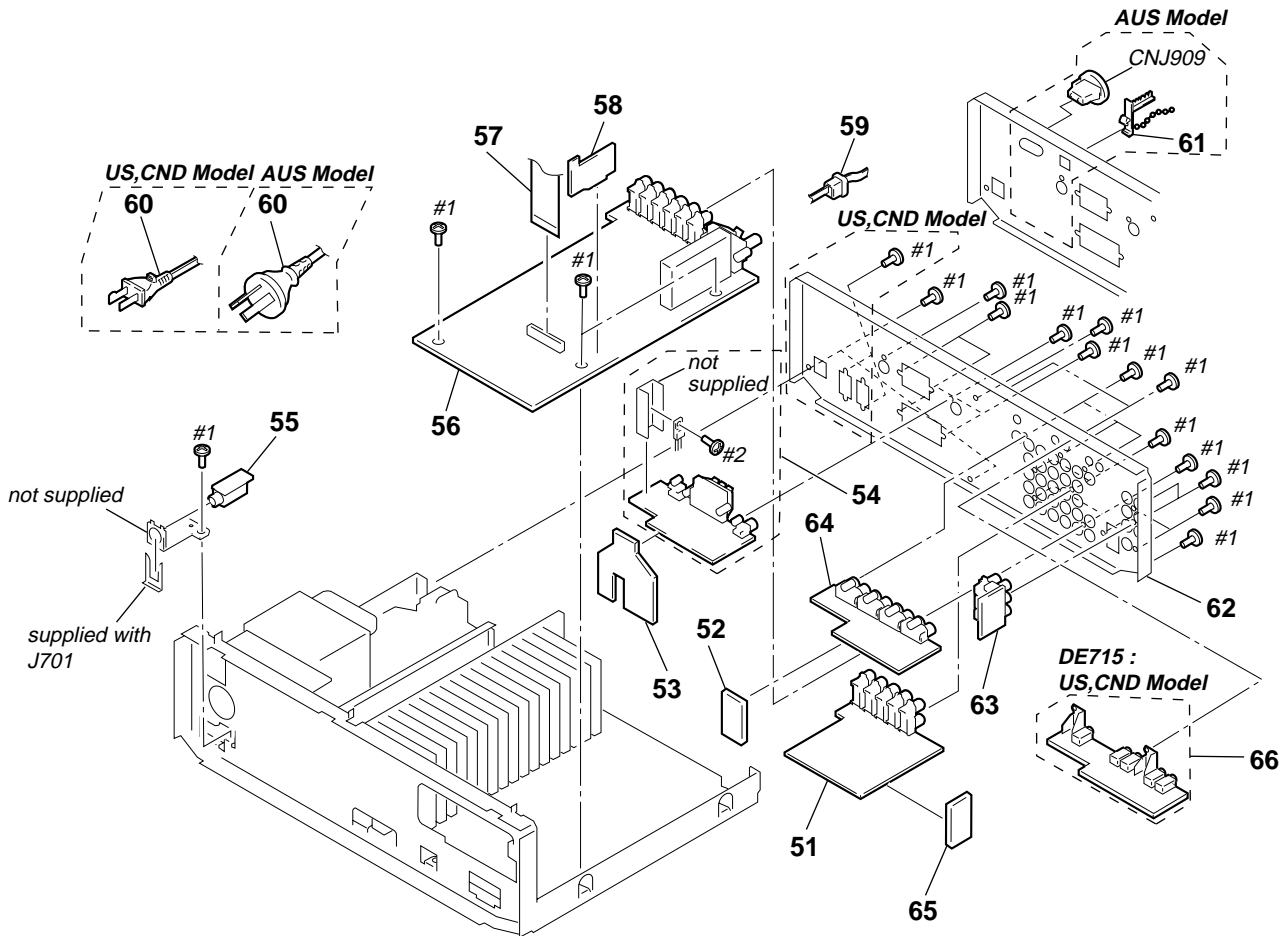
3-1. FRONT PANEL SECTION

▲A : L.B. SW board



Ref. No.	Part No.	Description	Remark	Ref. No.	Part No.	Description	Remark
1	4-980-639-01	KNOB (R14)		* 17	1-665-478-11	BALANCE BOARD (D660Z/DE715)	
2	X-4946-873-1	KNOB (R48) ASSY		* 17	1-665-467-11	BALANCE BOARD (D560Z/DE615)	
3	X-4948-324-1	PANEL ASSY, FRONT (DE615)		* 18	1-665-477-11	VOL BOARD (D660Z/DE715)	
3	X-4948-325-1	PANEL ASSY, FRONT (D560Z)		* 18	1-665-466-11	VOL BOARD (D560Z/DE615)	
3	X-4948-328-1	PANEL ASSY, FRONT (DE715:US,CND)		19	1-773-130-11	WIRE (FLAT TYPE) (19 CORE) (100mm)	
3	X-4948-329-1	PANEL ASSY, FRONT (D660Z)		20	1-769-928-11	WIRE (FLAT TYPE) (9 CORE) (DE715:US,CND)	
3	X-4948-557-1	PANEL ASSY, FRONT (DE715:AUS)		* 21	A-4392-893-A	DISPLAY BOARD, COMPLETE (D560Z/DE615)	
4	4-989-850-01	BUTTON (BB)		* 21	A-4392-918-A	DISPLAY BOARD, COMPLETE (DE715:US,CND)	
5	4-989-842-01	INDICATOR (BB)		* 21	A-4392-919-A	DISPLAY BOARD, COMPLETE (DE715:AUS)	
6	4-989-852-01	RING (SUR)		* 21	A-4392-942-A	DISPLAY BOARD, COMPLETE (D660Z)	
7	4-989-846-01	BUTTON (12)		22	1-773-115-11	WIRE (FLAT TYPE) (19 CORE) (320mm)	
8	3-008-600-11	EMBLEM (5-AR), SONY		* 23	4-921-941-01	CUSHION (FL)	
9	4-989-843-01	BUTTON (P-T)		* 24	3-386-245-11	HOLDER (FL) (D560Z/DE615)	
10	4-957-383-01	KNOB (F14)		* 24	4-981-656-01	HOLDER (C), FL INDICATION TUBE	
* 11	1-665-481-11	SP.SW BOARD (D660Z/DE715)					(D660Z/DE715)
* 11	1-665-470-11	SP.SW BOARD (D560Z/DE615)		* 25	A-4392-908-A	SW BOARD, COMPLETE	
12	3-704-366-01	SCREW (CASE) (M3X8)		FL101	1-517-519-11	INDICATOR TUBE, FLUORESCENT	
* 13	4-982-682-01	CASE (414532)					(D660Z/DE715)
14	4-985-642-01	CUSHION		FL101	1-517-672-11	INDICATOR TUBE, FLUORESCENT	
* 15	4-989-878-01	BRACKET (VOL)					(D560Z/DE615)
16	4-951-620-01	SCREW (2.6X8), +BVTP					

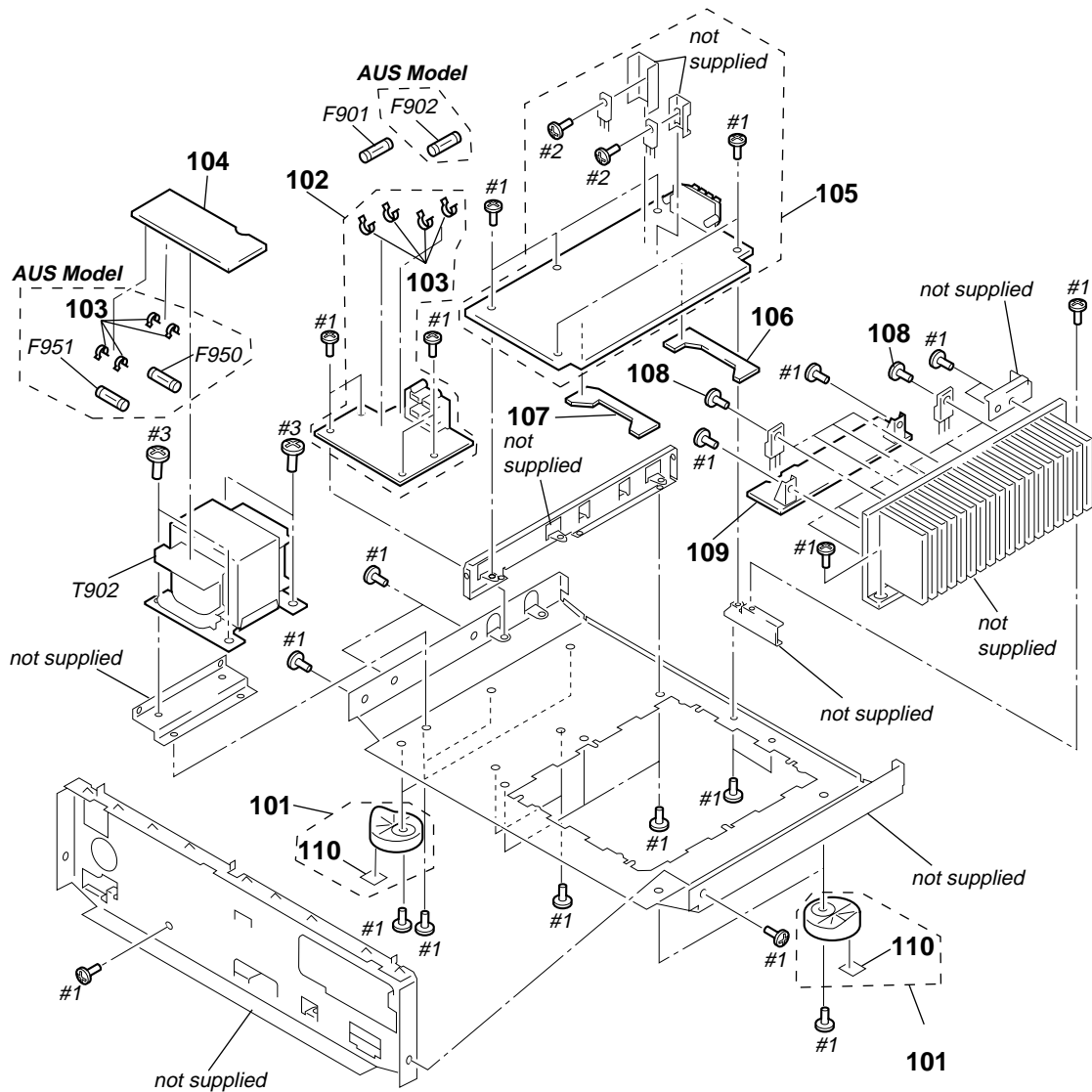
3-2. BACK PANEL SECTION



<p>The components identified by mark \triangle or dotted line with mark \triangle are critical for safety. Replace only with part number specified.</p>	<p>Les composants identifiés par une marque \triangle sont critiques pour la sécurité. Ne les remplacer que par une pièce portant le numéro spécifié.</p>
---	--

Ref. No.	Part No.	Description	Remark	Ref. No.	Part No.	Description	Remark
* 51	A-4392-896-A	AUDIO BOARD, COMPLETE (D560Z/DE615)		\triangle 60	1-769-743-11	CORD, POWER (US,CND)	
* 51	A-4392-923-A	AUDIO BOARD, COMPLETE (D660Z/DE715)		61	4-956-370-12	BAND, PLUG FIXED (AUS)	
* 52	1-665-480-11	AU-VIDEO BOARD (D660Z/DE715)		* 62	4-989-883-01	PANEL, BACK (DE615:US)	
* 52	1-665-469-11	AU-VIDEO BOARD (D560Z/DE615)		* 62	4-989-883-11	PANEL, BACK (DE615:CND)	
* 53	1-665-492-11	S-A-SP BOARD		* 62	4-989-883-21	PANEL, BACK (D560Z)	
* 54	A-4392-913-A	SP BOARD, COMPLETE (DE615/DE715:US,CND)		* 62	4-989-883-31	PANEL, BACK (DE715:US)	
* 54	A-4392-936-A	SP BOARD, COMPLETE (DE715:AUS)		* 62	4-989-883-41	PANEL, BACK (DE715:CND)	
* 54	A-4392-941-A	SP BOARD, COMPLETE (D560Z/D660Z)		* 62	4-989-883-51	PANEL, BACK (DE715:AUS)	
* 55	1-665-468-11	HP BOARD (D560Z/DE615)		* 62	4-989-883-61	PANEL, BACK (D660Z)	
* 55	1-665-479-11	HP BOARD (D660Z/DE715)		* 63	1-665-484-11	5.1 IN BOARD (D660Z/DE715)	
* 56	A-4392-905-A	SURR BOARD, COMPLETE (US,CND)		* 63	1-665-473-11	5.1 IN BOARD (D560Z/DE615)	
* 56	A-4392-931-A	SURR BOARD, COMPLETE (AUS)		* 64	A-4392-897-A	VIDEO BOARD, COMPLETE (D560Z/DE615)	
57	1-773-108-11	WIRE (FLAT TYPE) (19 CORE) (160mm)		* 64	A-4392-924-A	VIDEO BOARD, COMPLETE (D660Z/DE715)	
* 58	A-4392-917-A	SW AUDIO BOARD, COMPLETE		* 65	1-665-490-11	SURR-AUDIO BOARD	
* 59	3-703-244-00	BUSHING (2104), CORD		* 66	A-4392-933-A	CTRL-A BOARD, COMPLETE (DE715:US,CND)	
\triangle 60	1-696-847-11	CORD, POWER (AUS)		\triangle CNJ909	1-251-416-11	OUTLET, A.C. (AUS)	

3-3. CHASSIS SECTION



<p>The components identified by mark \triangle or dotted line with mark \triangle are critical for safety. Replace only with part number specified.</p>	<p>Les composants identifiés par une marque \triangle sont critiques pour la sécurité. Ne les remplacer que par une pièce portant le numéro spécifié.</p>
---	--

Ref. No.	Part No.	Description	Remark	Ref. No.	Part No.	Description	Remark
101	X-4947-207-1	FOOT ASSY (F50150S) (AUS)		* 109	A-4392-920-A	REAR AMP BOARD, COMPLETE (D660Z/DE715:US,CND)	
101	X-4947-208-1	FOOT ASSY (F50150S) (US,CND)		* 109	A-4392-922-A	REAR AMP BOARD, COMPLETE (DE715:AUS)	
* 102	A-4392-915-A	STAND BY BOARD, COMPLETE (US,CND)		110	4-977-358-11	CUSHION (8X12.5) (US,CND)	
* 102	A-4392-939-A	STAND BY BOARD, COMPLETE (AUS)		\triangle F901	1-532-506-51	FUSE, TIME LAG (T6.3AL/250V) (AUS)	
103	1-533-217-31	HOLDER, FUSE		\triangle F901	1-533-310-11	FUSE, GLASS CYLINDRICAL(DIA.5) (6.3A/125V) (US,CND)	
* 104	1-665-487-11	SECONDARY BOARD		\triangle F902	1-532-464-51	FUSE, TIME LAG (T2.5AL/250V) (AUS)	
* 105	A-4392-903-A	AMP BOARD, COMPLETE (US,CND)		\triangle F950	1-532-506-51	FUSE, TIME LAG (T6.3AL/250V) (AUS)	
* 105	A-4392-930-A	AMP BOARD, COMPLETE (AUS)		\triangle F951	1-532-506-51	FUSE, TIME LAG (T6.3AL/250V) (AUS)	
* 106	1-665-463-11	AMP JOINT (B) BOARD		\triangle T902	1-431-274-11	TRANSFORMER, POWER (US,CND)	
* 107	1-665-458-11	CONT (AS-1) BOARD		\triangle T902	1-431-288-11	TRANSFORMER, POWER (AUS)	
108	3-905-609-01	SCREW (TRANSISTOR)					
* 109	A-4392-894-A	REAR AMP BOARD, COMPLETE (D560Z/DE615)					

SECTION 4 ELECTRICAL PARTS LIST

NOTE :

- Due to standardization, replacements in the parts list may be different from the parts specified in the diagrams or the components used on the set.
- -XX, -X mean standardized parts, so they may have some difference from the original one.
- RESISTORS
All resistors are in ohms
METAL : Metal-film resistor
METAL OXIDE :Metal oxide-film resistor
F : nonflammable
- Items marked " * " are not stocked since they are seldom required for routine service. Some delay should be anticipated when ordering these items.

● SEMICONDUCTORS

In each case, u : μ , for example :
 uA.... : μ A.... , uPA.... : μ PA....
 uPB.... : μ PB.... , uPC.... : μ PC....
 uPD.... : μ PD....

● CAPACITORS

uF : μ F

● COILS

uH : μ H

● Abbreviation

CND : Canadian
 AUS : Australian

The components identified by mark Δ or dotted line with mark Δ are critical for safety.
 Replace only with part number specified.

Les composants identifiés par une marque Δ sont critiques pour la sécurité.
 Ne les remplacer que par une pièce portant le numéro spécifié.

When indicating parts by reference number, please include the board.

Ref. No.	Part No.	Description	Remark	Ref. No.	Part No.	Description	Remark
*	1-665-484-11	5.1 IN BOARD (D660Z/DE715)		C590	1-126-935-11	ELECT 470uF 20%	6.3V
*	1-665-473-11	5.1 IN BOARD (D560Z/DE615)		C598	1-126-965-11	ELECT 22uF 20%	50V
		*****		C620	1-126-967-11	ELECT 47uF 20%	16V
		< CONNECTOR >		C621	1-107-597-11	CERAMIC 22PF 10%	500V
CNP305	1-564-524-11	PLUG, CONNECTOR 9P		C622	1-107-597-11	CERAMIC 22PF 10%	500V
		< JACK >		C623	1-162-286-31	CERAMIC 220PF 10%	50V
J306	1-779-355-11	JACK, PIN 6P (5.1/DVD INPUT)		C803	1-109-932-11	ELECT 10000uF 20%	71V
		< RESISTOR >		C804	1-109-932-11	ELECT 10000uF 20%	71V
R317	1-249-421-11	CARBON 2.2K 5%	1/4W	C807	1-126-967-11	ELECT 47uF 20%	16V
R325	1-249-421-11	CARBON 2.2K 5%	1/4W	C808	1-126-967-11	ELECT 47uF 20%	16V
R326	1-249-421-11	CARBON 2.2K 5%	1/4W	C811	1-126-952-11	ELECT 1000uF 20%	35V
R327	1-249-429-11	CARBON 10K 5%	1/4W	C812	1-126-951-11	ELECT 470uF 20%	35V
R328	1-249-429-11	CARBON 10K 5%	1/4W	C817	1-126-967-11	ELECT 47uF 20%	50V
R329	1-249-429-11	CARBON 10K 5%	1/4W	C818	1-126-967-11	ELECT 47uF 20%	50V
R367	1-249-421-11	CARBON 2.2K 5%	1/4W			< CONNECTOR >	
R375	1-249-421-11	CARBON 2.2K 5%	1/4W	CNP701	1-564-320-00	PIN, CONNECTOR (B2P-VH) 2P	
R376	1-249-421-11	CARBON 2.2K 5%	1/4W	CNP702	1-695-091-11	PIN, CONNECTOR (PC BOARD) 15P	
R377	1-249-429-11	CARBON 10K 5%	1/4W	CNS502	1-770-404-11	HOUSING,CONNECTOR(PC BOARD)11P	
R378	1-249-429-11	CARBON 10K 5%	1/4W	CNS602	1-770-404-11	HOUSING,CONNECTOR(PC BOARD)11P	
R379	1-249-429-11	CARBON 10K 5%	1/4W	CNS701	1-569-323-11	SOCKET, CONNECTOR 19P	
		*****				< DIODE >	
*	A-4392-903-A	AMP BOARD, COMPLETE (US,CND)		D152	8-719-987-63	DIODE 1N4148M	
*	A-4392-930-A	AMP BOARD, COMPLETE (AUS)		D501	8-719-987-63	DIODE 1N4148M	
		*****		D502	8-719-010-06	DIODE UZ-2.2BS	
				D503	8-719-010-06	DIODE UZ-2.2BS	
*	1-537-738-21	TERMINAL, EARTH		D504	8-719-987-63	DIODE 1N4148M	
	7-685-872-09	SCREW +BVTT 3X8 (S)		D505	8-719-987-63	DIODE 1N4148M	
		< CAPACITOR >		D506	8-719-987-63	DIODE 1N4148M	
C520	1-126-967-11	ELECT 47uF 20%	16V	D545	8-719-987-63	DIODE 1N4148M	
C521	1-107-597-11	CERAMIC 22PF 10%	500V	D546	8-719-987-63	DIODE 1N4148M	
C522	1-107-597-11	CERAMIC 22PF 10%	500V	D547	8-719-987-63	DIODE 1N4148M	
C523	1-162-286-31	CERAMIC 220PF 10%	50V	D548	8-719-815-85	DIODE 1S1585	
C524	1-126-964-11	ELECT 10uF 20%	50V	D549	8-719-815-85	DIODE 1S1585	
C525	1-136-157-00	FILM 0.022uF 5%	50V	D551	8-719-987-63	DIODE 1N4148M	
C526	1-136-153-00	FILM 0.01uF 5%	50V	D552	8-719-010-06	DIODE UZ-2.2BS	
C570	1-126-967-11	ELECT 47uF 20%	16V	D553	8-719-010-06	DIODE UZ-2.2BS	
C571	1-107-597-11	CERAMIC 22PF 10%	500V	D554	8-719-987-63	DIODE 1N4148M	
C572	1-107-597-11	CERAMIC 22PF 10%	500V	D555	8-719-987-63	DIODE 1N4148M	
C573	1-162-286-31	CERAMIC 220PF 10%	50V	D556	8-719-987-63	DIODE 1N4148M	
C574	1-126-964-11	ELECT 10uF 20%	50V	D601	8-719-987-63	DIODE 1N4148M	
C575	1-136-157-00	FILM 0.022uF 5%	50V	D602	8-719-010-06	DIODE UZ-2.2BS	
C576	1-136-153-00	FILM 0.01uF 5%	50V	D603	8-719-010-06	DIODE UZ-2.2BS	
				D604	8-719-987-63	DIODE 1N4148M	
				D608	8-719-987-63	DIODE 1N4148M	

Ref. No.	Part No.	Description	Remark	Ref. No.	Part No.	Description	Remark
D611	8-719-987-63	DIODE 1N4148M				< RESISTOR >	
D647	8-719-987-63	DIODE 1N4148M					
D648	8-719-987-63	DIODE 1N4148M		R521	1-247-840-00	CARBON 2.4K	5% 1/4W
D651	8-719-987-63	DIODE 1N4148M		R523	1-249-414-11	CARBON 560	5% 1/4W
D711	8-719-987-63	DIODE 1N4148M		△R524	1-249-408-11	CARBON 180	5% 1/4W F
D716	8-719-987-63	DIODE 1N4148M		△R525	1-249-408-11	CARBON 180	5% 1/4W F
D807	8-719-934-22	DIODE HZS30-2L		△R526	1-233-352-41	ENCAPSULATED COMPONENT 0.22X2	2W F
		< IC >		R527	1-247-850-11	CARBON 6.2K	5% 1/4W
IC801	8-759-391-87	IC BA78M12P		R528	1-249-419-11	CARBON 1.5K	5% 1/4W
IC803	8-759-604-45	IC M5F79M12		R529	1-247-866-11	CARBON 30K	5% 1/4W
		< COIL >		R530	1-249-419-11	CARBON 1.5K	5% 1/4W
L501	1-420-872-00	COIL, AIR-CORE		R531	1-249-433-11	CARBON 22K	5% 1/4W
L551	1-420-872-00	COIL, AIR-CORE					
		< TRANSISTOR >		R532	1-249-437-11	CARBON 47K	5% 1/4W
Q504	8-729-119-76	TRANSISTOR 2SA1175-HFE		△R533	1-249-393-11	CARBON 10	5% 1/4W F
Q505	8-729-209-15	TRANSISTOR 2SD2012		△R534	1-249-389-11	CARBON 4.7	5% 1/4W F
Q506	8-749-010-25	IC MN2488-OPY-M		R535	1-249-431-11	CARBON 15K	5% 1/4W
Q507	8-749-010-26	IC MP1620-OPY-M		R539	1-249-427-11	CARBON 6.8K	5% 1/4W
Q508	8-729-140-82	TRANSISTOR 2SA988-PAFAEA					
Q509	8-729-281-53	TRANSISTOR 2SC1815-GR		R540	1-249-417-11	CARBON 1K	5% 1/4W
Q510	8-729-900-63	TRANSISTOR DTA124ES		R541	1-249-435-11	CARBON 33K	5% 1/4W
Q511	8-729-900-63	TRANSISTOR DTA124ES		R542	1-249-429-11	CARBON 10K	5% 1/4W
Q546	8-729-119-79	TRANSISTOR 2SC2785-FEK		R547	1-249-425-11	CARBON 4.7K	5% 1/4W
Q547	8-729-140-84	TRANSISTOR 2SC1841-PAFAEA		R548	1-249-429-11	CARBON 10K	5% 1/4W
Q548	8-729-119-79	TRANSISTOR 2SC2785-FEK		△R549	1-249-393-11	CARBON 10	5% 1/4W
Q549	8-729-140-82	TRANSISTOR 2SA988-PAFAEA		R550	1-249-429-11	CARBON 10K	5% 1/4W
Q554	8-729-119-76	TRANSISTOR 2SA1175-HFE		R571	1-247-840-00	CARBON 2.4K	5% 1/4W
Q555	8-729-209-15	TRANSISTOR 2SD2012		R573	1-249-414-11	CARBON 560	5% 1/4W
Q556	8-749-010-25	IC MN2488-OPY-M		△R574	1-249-408-11	CARBON 180	5% 1/4W F
Q557	8-749-010-26	IC MP1620-OPY-M		△R575	1-249-408-11	CARBON 180	5% 1/4W F
Q558	8-729-140-82	TRANSISTOR 2SA988-PAFAEA		△R576	1-233-352-41	ENCAPSULATED COMPONENT 0.22X2	2W F
Q559	8-729-281-53	TRANSISTOR 2SC1815-GR		R577	1-247-850-11	CARBON 6.2K	5% 1/4W
Q560	8-729-900-63	TRANSISTOR DTA124ES		R578	1-249-419-11	CARBON 1.5K	5% 1/4W
Q561	8-729-900-63	TRANSISTOR DTA124ES		R579	1-247-866-11	CARBON 30K	5% 1/4W
Q596	8-729-119-79	TRANSISTOR 2SC2785-FEK					
Q601	8-729-119-79	TRANSISTOR 2SC2785-FEK		R580	1-249-419-11	CARBON 1.5K	5% 1/4W
Q604	8-729-119-76	TRANSISTOR 2SA1175-HFE		R581	1-249-433-11	CARBON 22K	5% 1/4W
Q605	8-729-209-15	TRANSISTOR 2SD2012		R582	1-249-437-11	CARBON 47K	5% 1/4W
Q606	8-749-010-25	IC MN2488-OPY-M		△R584	1-249-389-11	CARBON 4.7	5% 1/4W F
Q607	8-749-010-26	IC MP1620-OPY-M		R585	1-249-431-11	CARBON 15K	5% 1/4W
Q608	8-729-140-82	TRANSISTOR 2SA988-PAFAEA					
Q612	8-729-281-53	TRANSISTOR 2SC1815-GR		R586	1-249-429-11	CARBON 10K	5% 1/4W
Q613	8-729-281-53	TRANSISTOR 2SC1815-GR		R587	1-249-425-11	CARBON 4.7K	5% 1/4W
Q614	8-729-201-53	TRANSISTOR 2SA1015-GR (US,CND)		△R588	1-249-393-11	CARBON 10	5% 1/4W F
Q614	8-729-140-82	TRANSISTOR 2SA988-PAFAEA (AUS)		R589	1-249-420-11	CARBON 1.8K	5% 1/4W
Q615	8-729-900-36	TRANSISTOR DTC124ES		R590	1-249-420-11	CARBON 1.8K	5% 1/4W
Q616	8-729-900-36	TRANSISTOR DTC124ES					
Q617	8-729-900-36	TRANSISTOR DTC124ES		R597	1-249-420-11	CARBON 1.8K	5% 1/4W
Q618	8-729-900-63	TRANSISTOR DTA124ES		R598	1-249-420-11	CARBON 1.8K	5% 1/4W
Q801	8-729-140-97	TRANSISTOR 2SB734-34		R621	1-247-840-00	CARBON 2.4K	5% 1/4W
				R623	1-249-414-11	CARBON 560	5% 1/4W
				△R624	1-249-393-11	CARBON 10	5% 1/4W F
				△R625	1-249-393-11	CARBON 10	5% 1/4W F
				△R626	1-233-352-41	ENCAPSULATED COMPONENT 0.22X2	2W F
				R627	1-247-850-11	CARBON 6.2K	5% 1/4W
				R628	1-249-419-11	CARBON 1.5K	5% 1/4W
				R632	1-249-437-11	CARBON 47K	5% 1/4W
				△R640	1-216-426-11	METAL OXIDE 82	5% 1W F
				R641	1-249-441-11	CARBON 100K	5% 1/4W
				△R642	1-215-889-00	METAL OXIDE 330	5% 2W F
				R643	1-249-441-11	CARBON 100K	5% 1/4W
				△R644	1-215-890-11	METAL OXIDE 470	5% 2W F

The components identified by mark △ or dotted line with mark △ are critical for safety. Replace only with part number specified.	Les composants identifiés par une marque △ sont critiques pour la sécurité. Ne les remplacer que par une pièce portant le numéro spécifié.
---	---

AMP**AMP JOINT (B)****AU-VIDEO****AUDIO****AUDIO SW**

Ref. No.	Part No.	Description	Remark
R645	1-249-441-11	CARBON 100K 5%	1/4W
R650	1-249-425-11	CARBON 4.7K 5%	1/4W
R651	1-249-429-11	CARBON 10K 5%	1/4W
△ R652	1-249-393-11	CARBON 10 5%	1/4W F
△ R739	1-215-868-00	METAL OXIDE 680 5%	1W F
< RELAY >			
△ R765	1-249-393-11	CARBON 10 5%	1/4W F
△ R789	1-215-868-00	METAL OXIDE 680 5%	1W F
△ R802	1-249-401-11	CARBON 47 5%	1/4W F
R803	1-247-843-11	CARBON 3.3K 5%	1/4W
< TERMINAL >			
RY501	1-515-920-11	RELAY (24V)	
RY502	1-515-920-11	RELAY (24V)	
RY602	1-515-793-11	RELAY	
< TERMINAL >			
TM601	1-537-922-11	TERMINAL BOARD (SP) (FRONT SPEAKERS)	

*	1-665-463-11	AMP JOINT (B) BOARD	

< CONNECTOR >			
CNP601	1-770-553-11	CONNECTOR, BOARD TO BOARD 11P	
CNP602	1-770-553-11	CONNECTOR, BOARD TO BOARD 11P	

*	1-665-480-11	AU-VIDEO BOARD (D660Z/DE715)	
*	1-665-469-11	AU-VIDEO BOARD (D560Z/DE615)	

< CONNECTOR >			
CNP305	1-750-180-11	PIN, CONNECTOR (PC BOARD) 5P	
CNS305	1-750-179-11	SOCKET, CONNECTOR 5P	

*	A-4392-896-A	AUDIO BOARD, COMPLETE (D560Z/DE615)	
*	A-4392-923-A	AUDIO BOARD, COMPLETE (D660Z/DE715)	

< CAPACITOR >			
C398	1-162-282-31	CERAMIC 100PF 10%	50V
C399	1-162-294-31	CERAMIC 0.001uF 10%	50V
< CONNECTOR >			
CNS302	1-695-095-11	SOCKET, CONNECTOR 13P	
CNS304	1-750-180-11	PIN, CONNECTOR (PC BOARD) 5P	
< IC >			
IC303	8-759-805-14	IC LC7822	
< JACK >			
J303	1-573-029-31	JACK, PIN 4P (VIDEO 2 AUDIO OUT,TV/DBS AUDIO IN/OUT)	
J304	1-770-015-11	JACK, PIN 6P (VIDEO 1 AUDIO IN/OUT,VIDEO 2 AUDIO IN)	

Ref. No.	Part No.	Description	Remark
< RESISTOR >			
R318	1-249-417-11	CARBON 1K 5%	1/4W
R319	1-249-417-11	CARBON 1K 5%	1/4W
R320	1-249-417-11	CARBON 1K 5%	1/4W
R321	1-249-417-11	CARBON 1K 5%	1/4W
R322	1-249-417-11	CARBON 1K 5%	1/4W
< RESISTOR >			
R368	1-249-417-11	CARBON 1K 5%	1/4W
R369	1-249-417-11	CARBON 1K 5%	1/4W
R370	1-249-417-11	CARBON 1K 5%	1/4W
R371	1-249-417-11	CARBON 1K 5%	1/4W
R372	1-249-417-11	CARBON 1K 5%	1/4W
< RESISTOR >			
R388	1-249-437-11	CARBON 47K 5%	1/4W
R389	1-249-437-11	CARBON 47K 5%	1/4W
R398	1-249-417-11	CARBON 1K 5%	1/4W
R399	1-249-425-11	CARBON 4.7K 5%	1/4W

*	A-4392-917-A	AUDIO SW BOARD, COMPLETE	

< CAPACITOR >			
C407	1-126-795-11	ELECT 10uF 20%	50V
C408	1-164-159-11	CERAMIC 0.1uF	50V
C409	1-126-795-11	ELECT 10uF 20%	50V
C411	1-126-795-11	ELECT 10uF 20%	50V
C412	1-164-159-11	CERAMIC 0.1uF	50V
C457	1-126-795-11	ELECT 10uF 20%	50V
C458	1-164-159-11	CERAMIC 0.1uF	50V
C459	1-126-795-11	ELECT 10uF 20%	50V
C461	1-126-795-11	ELECT 10uF 20%	50V
C495	1-162-294-31	CERAMIC 0.001uF 10%	50V
C496	1-162-282-31	CERAMIC 100PF 10%	50V
C498	1-126-786-11	ELECT 47uF 20%	16V
C499	1-126-786-11	ELECT 47uF 20%	16V
< CONNECTOR >			
CNP410	1-750-180-11	PIN, CONNECTOR (PC BOARD) 5P	
CNS403	1-695-093-11	SOCKET, CONNECTOR 9P	
CNS404	1-695-094-11	SOCKET, CONNECTOR 11P	
< IC >			
IC405	8-759-634-50	IC M5218AL	
IC406	8-759-805-15	IC LC7823	
< TRANSISTOR >			
Q401	8-729-922-37	TRANSISTOR 2SD2144S	
Q403	8-729-922-37	TRANSISTOR 2SD2144S	
Q451	8-729-922-37	TRANSISTOR 2SD2144S	
< RESISTOR >			
R410	1-249-441-11	CARBON 100K 5%	1/4W
R411	1-249-417-11	CARBON 1K 5%	1/4W
R412	1-249-425-11	CARBON 4.7K 5%	1/4W
R413	1-249-441-11	CARBON 100K 5%	1/4W
R416	1-249-441-11	CARBON 100K 5%	1/4W
< RESISTOR >			
R417	1-249-417-11	CARBON 1K 5%	1/4W
R418	1-249-425-11	CARBON 4.7K 5%	1/4W

The components identified by mark △ or dotted line with mark △ are critical for safety. Replace only with part number specified.	Les composants identifiés par une marque △ sont critiques pour la sécurité. Ne les remplacer que par une pièce portant le numéro spécifié.
---	---

AUDIO SW

BALANCE

CONT (AS-1)

CTRL-A

DISPLAY

L.B. SW

Ref. No.	Part No.	Description	Remark	Ref. No.	Part No.	Description	Remark
R460	1-249-441-11	CARBON	100K 5%	1/4W	J1105	1-563-330-11	JACK (S-LINK,CTRL A1)
R461	1-249-417-11	CARBON	1K 5%	1/4W			
R462	1-249-425-11	CARBON	4.7K 5%	1/4W		< TRANSISTOR >	
R463	1-249-441-11	CARBON	100K 5%	1/4W	Q1101	8-729-620-05	TRANSISTOR 2SC2603-EF
R466	1-249-441-11	CARBON	100K 5%	1/4W	Q1102	8-729-119-79	TRANSISTOR 2SC2785-FEK
R467	1-249-417-11	CARBON	1K 5%	1/4W	Q1103	8-729-119-79	TRANSISTOR 2SC2785-FEK
R468	1-249-417-11	CARBON	1K 5%	1/4W	Q1104	8-729-119-76	TRANSISTOR 2SA1175-HFE
R469	1-249-441-11	CARBON	100K 5%	1/4W	Q1105	8-729-119-76	TRANSISTOR 2SA1175-HFE
R476	1-249-425-11	CARBON	4.7K 5%	1/4W	Q1106	8-729-119-79	TRANSISTOR 2SC2785-FEK
R477	1-249-417-11	CARBON	1K 5%	1/4W	Q1107	8-729-119-76	TRANSISTOR 2SA1175-HFE
R478	1-249-441-11	CARBON	100K 5%	1/4W	Q1108	8-729-119-76	TRANSISTOR 2SA1175-HFE
R479	1-249-429-11	CARBON	10K 5%	1/4W	Q1109	8-729-119-76	TRANSISTOR 2SA1175-HFE
R480	1-249-441-11	CARBON	100K 5%	1/4W		< RESISTOR >	
R481	1-247-807-31	CARBON	100 5%	1/4W	R1101	1-249-393-11	CARBON 10 5%
R482	1-247-807-31	CARBON	100 5%	1/4W	R1102	1-249-417-11	CARBON 1K 5%

*	1-665-478-11	BALANCE BOARD (D660Z/DE715)			R1103	1-247-843-11	CARBON 3.3K 5%
*	1-665-467-11	BALANCE BOARD (D560Z/DE615)			R1104	1-247-843-11	CARBON 3.3K 5%
		*****			R1105	1-249-417-11	CARBON 1K 5%
		< VARIABLE RESISTOR >			R1106	1-249-429-11	CARBON 10K 5%
RV402	1-225-447-11	RES, VAR, CARBON 100K/100K (BALANCE)			R1107	1-249-429-11	CARBON 10K 5%

*	1-665-458-11	CONT (AS-1) BOARD			R1108	1-249-425-11	CARBON 4.7K 5%
		*****			R1109	1-249-417-11	CARBON 1K 5%
		< CONNECTOR >			R1110	1-249-417-11	CARBON 1K 5%
CNP501	1-770-553-11	CONNECTOR, BOARD TO BOARD 11P			R1111	1-249-417-11	CARBON 1K 5%
CNP502	1-770-553-11	CONNECTOR, BOARD TO BOARD 11P			R1112	1-249-417-11	CARBON 1K 5%

*	A-4392-933-A	CTRL-A BOARD, COMPLETE (DE715:US,CND)			R1113	1-249-414-11	CARBON 560 5%
		*****			R1114	1-249-414-11	CARBON 560 5%
		< CAPACITOR >			R1115	1-249-413-11	CARBON 470 5%
C1101	1-162-294-31	CERAMIC	0.001uF 10%	50V	R1116	1-249-413-11	CARBON 470 5%
C1102	1-162-294-31	CERAMIC	0.001uF 10%	50V	R1117	1-249-429-11	CARBON 10K 5%
C1103	1-126-964-11	ELECT	10uF 20%	50V	R1118	1-249-429-11	CARBON 10K 5%
C1104	1-162-294-31	CERAMIC	0.001uF 10%	50V	R1119	1-249-417-11	CARBON 1K 5%
C1105	1-162-294-31	CERAMIC	0.001uF 10%	50V	R1120	1-249-427-11	CARBON 6.8K 5%
C1106	1-126-964-11	ELECT	10uF 20%	50V	R1121	1-249-433-11	CARBON 22K 5%
C1107	1-126-964-11	ELECT	10uF 20%	50V	R1122	1-249-437-11	CARBON 47K 5%
		< CONNECTOR >			*****		
*	CNS110	1-568-828-11	SOCKET, CONNECTOR 9P		*	3-386-245-11	HOLDER (FL) (D560Z/DE615)
			< DIODE >		*	4-921-941-01	CUSHION (FL)
D1101	8-719-987-63	DIODE	1N4148M		*	4-981-656-01	HOLDER (C), FL INDICATION TUBE (D660Z/DE715)
		< IC >			< CAPACITOR >		
IC1101	8-759-912-77	IC	LM324N		C029	1-162-282-31	CERAMIC 100PF 10% 50V (D660Z/DE715)
IC1102	8-759-388-26	IC	NJM2129D		C101	1-164-159-11	CERAMIC 0.1uF 50V
		< JACK >			C102	1-164-159-11	CERAMIC 0.1uF 50V
J1101	1-563-330-11	JACK (MONITOR,CTRL S IN)			C103	1-164-159-11	CERAMIC 0.1uF 50V
J1102	1-563-330-11	JACK (VIDEO,CTRL S OUT)			C104	1-126-959-11	ELECT 0.47uF 20% 50V (D560Z/DE615)
J1103	1-563-330-11	JACK (TV/DBS,CTRL S STATUS IN)			C104	1-164-159-11	CERAMIC 0.1uF 50V (D660Z/DE715)
J1104	1-563-330-11	JACK (VIDEO 2,CTRL S OUT)					

Ref. No.	Part No.	Description	Remark	Ref. No.	Part No.	Description	Remark
C105	1-164-159-11	CERAMIC	0.1uF 50V	C186	1-162-282-31	CERAMIC 100PF 10% 50V	(D560Z/DE615)
C106	1-164-159-11	CERAMIC	0.1uF 50V	C187	1-162-282-31	CERAMIC 100PF 10% 50V	(D560Z/DE615)
C111	1-126-967-11	ELECT	47uF 20% 16V	C188	1-162-282-31	CERAMIC 100PF 10% 50V	(D560Z/DE615)
C111	1-126-786-11	ELECT	47uF 20% 16V	C189	1-162-282-31	CERAMIC 100PF 10% 50V	(D560Z/DE615)
C113	1-126-786-11	ELECT	47uF 20% 16V	C190	1-162-282-31	CERAMIC 100PF 10% 50V	(D560Z/DE615)
C114	1-164-159-11	CERAMIC	0.1uF 50V	C191	1-162-282-31	CERAMIC 100PF 10% 50V	(D560Z/DE615)
C115	1-104-905-11	CAPACITOR	0.22F 5.5V	C192	1-162-282-31	CERAMIC 100PF 10% 50V	(D560Z/DE615)
C116	1-164-159-11	CERAMIC	0.1uF 50V	C193	1-162-282-31	CERAMIC 100PF 10% 50V	(D560Z/DE615)
C117	1-164-159-11	CERAMIC	0.1uF 50V	C194	1-162-282-31	CERAMIC 100PF 10% 50V	(D560Z/DE615)
C120	1-162-282-31	CERAMIC	100PF 10% 50V	C195	1-162-282-31	CERAMIC 100PF 10% 50V	(D560Z/DE615)
C121	1-162-282-31	CERAMIC	100PF 10% 50V	C196	1-162-282-31	CERAMIC 100PF 10% 50V	(D560Z/DE615)
C122	1-162-282-31	CERAMIC	100PF 10% 50V	C197	1-162-282-31	CERAMIC 100PF 10% 50V	(D560Z/DE615)
C123	1-162-282-31	CERAMIC	100PF 10% 50V	C198	1-162-282-31	CERAMIC 100PF 10% 50V	(D560Z/DE615)
C124	1-162-282-31	CERAMIC	100PF 10% 50V	C199	1-162-282-31	CERAMIC 100PF 10% 50V	(D560Z/DE615)
C125	1-162-282-31	CERAMIC	100PF 10% 50V	< CONNECTOR >			
C126	1-162-282-31	CERAMIC	100PF 10% 50V	CNP101	1-779-365-11	CONNECTOR, PC BOARD (PLUG) 8P	
C127	1-162-282-31	CERAMIC	100PF 10% 50V	CNP103	1-779-366-11	CONNECTOR, BOARD TO BOARD 4P	
C128	1-162-282-31	CERAMIC	100PF 10% 50V	CNS102	1-770-397-11	HOUSING, CONNECTOR(PC BOARD)4P	
C130	1-162-282-31	CERAMIC	100PF 10% 50V	* CNS104	1-568-862-11	SOCKET, CONNECTOR 19P (D560Z/DE615)	
C131	1-162-282-31	CERAMIC	100PF 10% 50V	CNS104	1-569-308-11	SOCKET, CONNECTOR (L TYRE) 19P	(D660Z/DE715)
C132	1-126-177-11	ELECT	100uF 20% 10V	CNS105	1-568-802-11	SOCKET, CONNECTOR 19P (D560Z/DE615)	
C133	1-164-159-11	CERAMIC	0.1uF 50V	CNS105	1-691-650-11	SOCKET, CONNECTOR 19P (D660Z/DE715)	
C134	1-162-282-31	CERAMIC	100PF 10% 50V	CNS106	1-568-441-11	SOCKET, CONNECTOR 9P (D660Z/DE715)	
C135	1-126-795-11	ELECT	10uF 20% 50V	< DIODE >			
C136	1-162-282-31	CERAMIC	100PF 10% 50V	D101	8-719-313-45	LED SEL6810A-TH10 (PHONO)	
C137	1-162-282-31	CERAMIC	100PF 10% 50V	D102	8-719-313-45	LED SEL6810A-TH10 (TUNER)	
C138	1-162-282-31	CERAMIC	100PF 10% 50V	D103	8-719-313-45	LED SEL6810A-TH10 (CD)	
C139	1-162-282-31	CERAMIC	100PF 10% 50V	D104	8-719-313-45	LED SEL6810A-TH10 (DAT/MD)	
C140	1-126-786-11	ELECT	47uF 20% 16V	D105	8-719-313-45	LED SEL6810A-TH10 (TAPE)	
C141	1-164-159-11	CERAMIC	0.1uF 50V	D106	8-719-313-45	LED SEL6810A-TH10 (TV/DBS)	
C142	1-164-159-11	CERAMIC	0.1uF 50V	D107	8-719-313-45	LED SEL6810A-TH10 (VIDEO 2)	(D560Z/DE615)
C143	1-164-159-11	CERAMIC	0.1uF 50V	D108	8-719-313-45	LED SEL6810A-TH10 (VIDEO 1)	(D560Z/DE615)
C183	1-162-282-31	CERAMIC	100PF 10% 50V	D109	8-719-313-45	LED SEL6810A-TH10 (VIDEO 2)	(D660Z/DE715)
C184	1-162-282-31	CERAMIC	100PF 10% 50V	D110	8-719-313-45	LED SEL6810A-TH10 (VIDEO 1)	(D660Z/DE715)
C185	1-162-282-31	CERAMIC	100PF 10% 50V	D111	8-719-313-45	LED SEL6810A-TH10 (DIRECT PASS)	
				D112	8-719-064-63	LED SELU5823A-TP15 (5.1 INPUT)	
				D113	8-719-313-45	LED SEL6810A-TH10 (SUR)	
				D114	8-719-313-45	LED SEL6810A-TH10 (TONE)	
				D115	8-719-313-45	LED SEL6810A-TH10 (INDEX)	
				D117	8-719-313-45	LED SEL6810A-TH10 (BASS BOOST)	
				D119	8-719-987-63	DIODE 1N4148M	
				D120	8-719-200-82	DIODE 11ES2 (D560Z/DE615)	

Ref. No.	Part No.	Description	Remark	Ref. No.	Part No.	Description	Remark
D120	8-719-024-99	DIODE 11ES2-NTA2B (D660Z/DE715)		R126	1-249-425-11	CARBON 4.7K	5% 1/4W
D121	8-719-987-63	DIODE 1N4148M (D560Z/DE615)		R127	1-249-425-11	CARBON 4.7K	5% 1/4W
		< FILTER >		R128	1-249-417-11	CARBON 1K	5% 1/4W (D660Z/DE715)
FL101	1-517-519-11	INDICATOR TUBE, FLUORESCENT (D660Z/DE715)		R128	1-249-429-11	CARBON 10K	5% 1/4W (D560Z/DE615)
FL101	1-517-672-11	INDICATOR TUBE, FLUORESCENT (D560Z/DE615)		R129	1-247-807-31	CARBON 100	5% 1/4W
		< IC >		R130	1-249-429-11	CARBON 10K	5% 1/4W (D660Z/DE715)
IC101	8-759-459-83	IC NJL55H400		R131	1-249-419-11	CARBON 1.5K	5% 1/4W (D660Z/DE715)
IC102	8-759-442-92	IC M66004AFP-M6 (D660Z/DE715)		R132	1-249-417-11	CARBON 1K	5% 1/4W
IC103	8-759-458-11	IC MB90673PF-G-196-BND (D660Z/DE715)		R133	1-249-417-11	CARBON 1K	5% 1/4W (D660Z/DE715)
IC103	8-759-460-14	IC uPD780205GF-027-3BA (D560Z/DE615)		R133	1-247-807-31	CARBON 100	5% 1/4W (D560Z/DE615)
IC105	8-759-634-84	IC M50255P (D660Z/DE715)					
IC106	8-759-962-08	IC BA6208		R134	1-249-417-11	CARBON 1K	5% 1/4W (D660Z/DE715)
		< COIL >		R134	1-247-807-31	CARBON 100	5% 1/4W (D560Z/DE615)
L101	1-410-509-11	INDUCTOR 10uH		R135	1-249-417-11	CARBON 1K	5% 1/4W (D660Z/DE715)
		< TRANSISTOR >		R135	1-247-807-31	CARBON 100	5% 1/4W (D560Z/DE615)
Q101	8-729-900-36	TRANSISTOR DTC124ES		R136	1-249-417-11	CARBON 1K	5% 1/4W (D660Z/DE715)
Q102	8-729-119-76	TRANSISTOR 2SA1175-HFE					
Q103	8-729-900-36	TRANSISTOR DTC124ES (D560Z/DE615)		R136	1-247-807-31	CARBON 100	5% 1/4W (D560Z/DE615)
Q104	8-729-900-36	TRANSISTOR DTC124ES (D560Z/DE615)		R137	1-247-807-31	CARBON 100	5% 1/4W
Q105	8-729-900-36	TRANSISTOR DTC124ES		R138	1-249-417-11	CARBON 1K	5% 1/4W
		< RESISTOR >		R139	1-247-807-31	CARBON 100	5% 1/4W
R100	1-249-437-11	CARBON 47K	5% 1/4W (D660Z/DE715)	R140	1-247-807-31	CARBON 100	5% 1/4W
R101	1-247-807-31	CARBON 100	5% 1/4W	R141	1-247-807-31	CARBON 100	5% 1/4W
R102	1-247-807-31	CARBON 100	5% 1/4W	R142	1-247-807-31	CARBON 100	5% 1/4W
R103	1-247-807-31	CARBON 100	5% 1/4W	R143	1-249-429-11	CARBON 10K	5% 1/4W (D660Z/DE715)
R104	1-247-807-31	CARBON 100	5% 1/4W	R143	1-249-417-11	CARBON 1K	5% 1/4W (D560Z/DE615)
R105	1-247-807-31	CARBON 100	5% 1/4W	R144	1-249-437-11	CARBON 47K	5% 1/4W (D660Z/DE715)
R106	1-247-807-31	CARBON 100	5% 1/4W				
R107	1-247-807-31	CARBON 100	5% 1/4W	R144	1-249-417-11	CARBON 1K	5% 1/4W (D560Z/DE615)
R108	1-247-807-31	CARBON 100	5% 1/4W	R145	1-249-433-11	CARBON 22K	5% 1/4W (D660Z/DE715)
R109	1-247-807-31	CARBON 100	5% 1/4W	R145	1-249-417-11	CARBON 1K	5% 1/4W (D560Z/DE615)
R110	1-247-807-31	CARBON 100	5% 1/4W	R146	1-247-807-31	CARBON 100	5% 1/4W (D660Z/DE715)
R111	1-247-807-31	CARBON 100	5% 1/4W	R146	1-249-417-11	CARBON 1K	5% 1/4W (D560Z/DE615)
R112	1-247-807-31	CARBON 100	5% 1/4W				
R113	1-247-807-31	CARBON 100	5% 1/4W	R147	1-247-807-31	CARBON 100	5% 1/4W
R114	1-247-807-31	CARBON 100	5% 1/4W	R147	1-249-417-11	CARBON 1K	5% 1/4W (D560Z/DE615)
R115	1-249-429-11	CARBON 10K	5% 1/4W (D660Z/DE715)	R148	1-247-807-31	CARBON 100	5% 1/4W (D660Z/DE715)
R116	1-247-807-31	CARBON 100	5% 1/4W (D660Z/DE715)	R148	1-249-417-11	CARBON 1K	5% 1/4W (D560Z/DE615)
R118	1-249-417-11	CARBON 1K	5% 1/4W (D660Z/DE715)	R149	1-247-807-31	CARBON 100	5% 1/4W (D660Z/DE715)
R119	1-249-417-11	CARBON 1K	5% 1/4W (D660Z/DE715)				
R120	1-249-417-11	CARBON 1K	5% 1/4W (D660Z/DE715)	R149	1-249-417-11	CARBON 1K	5% 1/4W (D560Z/DE615)
R121	1-249-417-11	CARBON 1K	5% 1/4W (D660Z/DE715)	R150	1-249-393-11	CARBON 10	5% 1/4W
R122	1-249-425-11	CARBON 4.7K	5% 1/4W				
R123	1-249-425-11	CARBON 4.7K	5% 1/4W				
R124	1-249-425-11	CARBON 4.7K	5% 1/4W				
R125	1-249-425-11	CARBON 4.7K	5% 1/4W				

Ref. No.	Part No.	Description	Remark	Ref. No.	Part No.	Description	Remark
R151	1-249-429-11	CARBON	10K 5% 1/4W (D660Z/DE715)	RR105	1-249-437-11	CARBON	47K 5% 1/4W (D560Z/DE615)
R152	1-249-434-11	CARBON	27K 5% 1/4W (D660Z/DE715)	RR106	1-249-437-11	CARBON	47K 5% 1/4W (D560Z/DE615)
△R153	1-249-385-11	CARBON	2.2 5% 1/6W F	RR107	1-249-437-11	CARBON	47K 5% 1/4W (D560Z/DE615)
△R154	1-249-385-11	CARBON	2.2 5% 1/6W F	RR108	1-249-437-11	CARBON	47K 5% 1/4W (D560Z/DE615)
R155	1-249-411-11	CARBON	330 5% 1/4W	RR109	1-249-437-11	CARBON	47K 5% 1/4W (D560Z/DE615)
R156	1-249-411-11	CARBON	330 5% 1/4W	RR110	1-249-437-11	CARBON	47K 5% 1/4W (D560Z/DE615)
R157	1-249-411-11	CARBON	330 5% 1/4W	RR111	1-249-437-11	CARBON	47K 5% 1/4W (D560Z/DE615)
R158	1-249-411-11	CARBON	330 5% 1/4W	RR112	1-249-437-11	CARBON	47K 5% 1/4W (D560Z/DE615)
R159	1-249-437-11	CARBON	47K 5% 1/4W (D660Z/DE715)	RR113	1-249-437-11	CARBON	47K 5% 1/4W (D560Z/DE615)
R160	1-249-411-11	CARBON	330 5% 1/4W	RR114	1-249-437-11	CARBON	47K 5% 1/4W (D560Z/DE615)
R162	1-249-429-11	CARBON	10K 5% 1/4W	RR115	1-249-437-11	CARBON	47K 5% 1/4W (D560Z/DE615)
R163	1-247-807-31	CARBON	100 5% 1/4W (D660Z/DE715)	RR116	1-249-437-11	CARBON	47K 5% 1/4W (D560Z/DE615)
R164	1-249-429-11	CARBON	10K 5% 1/4W	RR117	1-249-437-11	CARBON	47K 5% 1/4W (D560Z/DE615)
R165	1-249-429-11	CARBON	10K 5% 1/4W	RR118	1-249-437-11	CARBON	47K 5% 1/4W (D560Z/DE615)
R166	1-249-429-11	CARBON	10K 5% 1/4W	RR119	1-249-437-11	CARBON	47K 5% 1/4W (D560Z/DE615)
R167	1-249-437-11	CARBON	47K 5% 1/4W (D660Z/DE715)	RR120	1-249-437-11	CARBON	47K 5% 1/4W (D560Z/DE615)
R168	1-249-437-11	CARBON	47K 5% 1/4W (D660Z/DE715)	RR121	1-249-437-11	CARBON	47K 5% 1/4W (D560Z/DE615)
R170	1-249-437-11	CARBON	47K 5% 1/4W (D660Z/DE715)	RR122	1-249-437-11	CARBON	47K 5% 1/4W (D560Z/DE615)
R171	1-249-437-11	CARBON	47K 5% 1/4W (D560Z/DE615)	RR123	1-249-437-11	CARBON	47K 5% 1/4W (D560Z/DE615)
R172	1-249-437-11	CARBON	47K 5% 1/4W (D560Z/DE615)	RR124	1-249-437-11	CARBON	47K 5% 1/4W (D560Z/DE615)
R188	1-249-411-11	CARBON	330 5% 1/4W	RR125	1-249-437-11	CARBON	47K 5% 1/4W (D560Z/DE615)
R189	1-249-413-11	CARBON	470 5% 1/4W	RR126	1-249-437-11	CARBON	47K 5% 1/4W (D560Z/DE615)
R190	1-249-415-11	CARBON	680 5% 1/4W	RR127	1-249-437-11	CARBON	47K 5% 1/4W (D560Z/DE615)
R191	1-249-417-11	CARBON	1K 5% 1/4W	RR128	1-249-437-11	CARBON	47K 5% 1/4W (D560Z/DE615)
R192	1-249-419-11	CARBON	1.5K 5% 1/4W	RR129	1-249-437-11	CARBON	47K 5% 1/4W (D560Z/DE615)
R193	1-249-421-11	CARBON	2.2K 5% 1/4W	RR130	1-249-437-11	CARBON	47K 5% 1/4W (D560Z/DE615)
R194	1-249-425-11	CARBON	4.7K 5% 1/4W				< SWITCH >
R195	1-249-411-11	CARBON	330 5% 1/4W	S123	1-762-751-11	SWITCH, TACTILE (☒)	
R196	1-249-413-11	CARBON	470 5% 1/4W	S124	1-762-751-11	SWITCH, TACTILE (☒)	
R197	1-249-415-11	CARBON	680 5% 1/4W	S125	1-762-751-11	SWITCH, TACTILE (MEMORY)	
R198	1-249-417-11	CARBON	1K 5% 1/4W	S126	1-762-751-11	SWITCH, TACTILE (FM MODE)	
R199	1-249-419-11	CARBON	1.5K 5% 1/4W	S127	1-762-751-11	SWITCH, TACTILE (FM/AM)	
RR10	1-249-425-11	CARBON	4.7K 5% 1/4W	S128	1-762-751-11	SWITCH, TACTILE (DISPLAY)	
RR11	1-249-411-11	CARBON	330 5% 1/4W (D660Z/DE715:AUS)	S129	1-762-751-11	SWITCH, TACTILE (☒)	
RR12	1-249-413-11	CARBON	470 5% 1/4W (DE715:AUS)				
RR13	1-249-415-11	CARBON	680 5% 1/4W (DE715:AUS)				
RR14	1-249-417-11	CARBON	1K 5% 1/4W (DE715:AUS)				
RR15	1-249-419-11	CARBON	1.5K 5% 1/4W (DE715:AUS)				
RR101	1-249-437-11	CARBON	47K 5% 1/4W (D560Z/DE615)				
RR102	1-249-437-11	CARBON	47K 5% 1/4W (D560Z/DE615)				
RR103	1-249-437-11	CARBON	47K 5% 1/4W (D560Z/DE615)				
RR104	1-249-437-11	CARBON	47K 5% 1/4W (D560Z/DE615)				

The components identified by mark △ or dotted line with mark △ are critical for safety.
Replace only with part number specified.

Les composants identifiés par une marque △ sont critiques pour la sécurité.
Ne les remplacer que par une pièce portant le numéro spécifié.

DISPLAY

L.B. SW

HP

REAR AMP

Ref. No.	Part No.	Description	Remark	Ref. No.	Part No.	Description	Remark
S130	1-762-751-11	SWITCH, TACTILE (▽)				< CONNECTOR >	
S131	1-762-751-11	SWITCH, TACTILE (PRESET TUNING -)					
S132	1-762-751-11	SWITCH, TACTILE (TUNING -)					
S133	1-762-751-11	SWITCH, TACTILE (PRESET TUNING +)					
S134	1-762-751-11	SWITCH, TACTILE (TUNING +)					
S135	1-762-751-11	SWITCH, TACTILE (BASS BOOST)					
S151	1-762-751-11	SWITCH, TACTILE (POWER)					
		< VIBRATOR >					
X101	1-567-819-11	VIBRATOR, CERAMIC (4.19MHz) (D660Z/DE715)					
X101	1-577-101-11	VIBRATOR, CERAMIC (4.19MHz) (D560Z/DE615)					

*	1-665-468-11	HP BOARD (D560Z/DE615)					
*	1-665-479-11	HP BOARD (D660Z/DE715) *****					
		< CONNECTOR >					
* CNP702	1-564-518-11	PLUG, CONNECTOR 3P					
		< JACK >					
J701	1-568-519-41	JACK, LARGE TYPE (PHONES)					

*	A-4392-894-A	REAR AMP BOARD, COMPLETE (D560Z/DE615)					
*	A-4392-920-A	REAR AMP BOARD, COMPLETE (D660Z/DE715:US,CND)					
*	A-4392-922-A	REAR AMP BOARD, COMPLETE (DE715:AUS) *****					
		< CAPACITOR >					
C700	1-162-294-31	CERAMIC	0.001uF 10% 50V (US,CND)				
C701	1-126-964-11	ELECT	10uF 20% 50V				
C702	1-162-282-31	CERAMIC	100PF 10% 50V				
C703	1-102-233-00	CERAMIC	33PF 10% 500V				
C704	1-162-282-31	CERAMIC	100PF 10% 50V				
C705	1-126-933-11	ELECT	100uF 20% 10V				
C720	1-126-967-11	ELECT	47uF 20% 16V				
C721	1-107-597-11	CERAMIC	22PF 10% 500V				
C722	1-107-597-11	CERAMIC	22PF 10% 500V				
C723	1-162-286-31	CERAMIC	220PF 10% 50V				
C751	1-126-964-11	ELECT	10uF 20% 50V				
C752	1-162-282-31	CERAMIC	100PF 10% 50V				
C753	1-102-233-00	CERAMIC	33PF 10% 500V				
C754	1-162-282-31	CERAMIC	100PF 10% 50V				
C755	1-126-933-11	ELECT	100uF 20% 10V				
C770	1-126-967-11	ELECT	47uF 20% 16V				
C771	1-107-597-11	CERAMIC	22PF 10% 500V				
C772	1-107-597-11	CERAMIC	22PF 10% 500V				
C773	1-162-286-31	CERAMIC	220PF 10% 50V				
C793	1-126-923-11	ELECT	220uF 20% 10V				
C798	1-128-560-11	ELECT	22uF 20% 100V				
C799	1-128-560-11	ELECT	22uF 20% 100V				
		< DIODE >					
D701	8-719-987-63	DIODE	1N4148M				
D702	8-719-010-06	DIODE	UZ-2.2BS				
D703	8-719-010-06	DIODE	UZ-2.2BS				
D704	8-719-987-63	DIODE	1N4148M				
D751	8-719-987-63	DIODE	1N4148M				
D752	8-719-010-06	DIODE	UZ-2.2BS				
D753	8-719-010-06	DIODE	UZ-2.2BS				
D754	8-719-987-63	DIODE	1N4148M				
		< IC >					
IC701	8-759-326-52	IC	uPC2581V				
		< TRANSISTOR >					
Q703	8-729-140-84	TRANSISTOR	2SC1841-PAFAEA				
Q704	8-729-119-76	TRANSISTOR	2SA1175-HFE				
Q705	8-729-141-30	TRANSISTOR	2SC3623A-LK				
Q706	8-749-010-25	IC	MN2488-OPY-M				
Q707	8-749-010-26	IC	MP1620-OPY-M				
Q708	8-729-140-82	TRANSISTOR	2SA988-PAFAEA				
Q754	8-729-119-76	TRANSISTOR	2SA1175-HFE				
Q755	8-729-141-30	TRANSISTOR	2SC3623A-LK				
Q756	8-749-010-25	IC	MN2488-OPY-M				
Q757	8-749-010-26	IC	MP1620-OPY-M				
Q758	8-729-140-82	TRANSISTOR	2SA988-PAFAEA				
		< RESISTOR >					
R701	1-249-417-11	CARBON	1K 5% 1/4W				
R702	1-249-439-11	CARBON	68K 5% 1/4W				
R703	1-249-439-11	CARBON	68K 5% 1/4W				
R704	1-249-411-11	CARBON	330 5% 1/4W				
R721	1-249-437-11	CARBON	47K 5% 1/4W				
R722	1-249-421-11	CARBON	2.2K 5% 1/4W				
R723	1-249-414-11	CARBON	560 5% 1/4W				
△R724	1-249-408-11	CARBON	180 5% 1/4W F				
△R725	1-249-408-11	CARBON	180 5% 1/4W F				
△R726	1-233-352-41	ENCAPSULATED COMPONENT	0.22X2 2W F				
R727	1-247-850-11	CARBON	6.2K 5% 1/4W				
R728	1-249-419-11	CARBON	1.5K 5% 1/4W				
R732	1-249-437-11	CARBON	47K 5% 1/4W				
R751	1-249-417-11	CARBON	1K 5% 1/4W				
R752	1-249-439-11	CARBON	68K 5% 1/4W				
R753	1-249-439-11	CARBON	68K 5% 1/4W				
R754	1-249-411-11	CARBON	330 5% 1/4W				
R771	1-249-437-11	CARBON	47K 5% 1/4W				
R772	1-249-421-11	CARBON	2.2K 5% 1/4W				
R773	1-249-414-11	CARBON	560 5% 1/4W				
△R774	1-249-408-11	CARBON	180 5% 1/4W F				
△R775	1-249-408-11	CARBON	180 5% 1/4W F				

The components identified by mark △ or dotted line with mark △ are critical for safety. Replace only with part number specified.	Les composants identifiés par une marque △ sont critiques pour la sécurité. Ne les remplacer que par une pièce portant le numéro spécifié.
---	---

REAR AMP

S-A-SP

SECONDARY

SP

Ref. No.	Part No.	Description	Remark
△ R776	1-233-352-41	ENCAPSULATED COMPONENT 0.22X2 2W	F
R777	1-247-850-11	CARBON 6.2K 5%	1/4W
R778	1-249-419-11	CARBON 1.5K 5%	1/4W
R782	1-249-437-11	CARBON 47K 5%	1/4W
R790	1-249-417-11	CARBON 1K 5%	1/4W
R793	1-249-435-11	CARBON 33K 5%	1/4W
R794	1-249-425-11	CARBON 4.7K 5%	1/4W
△ R798	1-249-393-11	CARBON 10 5%	1/4W F
△ R799	1-249-393-11	CARBON 10 5%	1/4W F

*	1-665-492-11	S-A-SP BOARD	

		< CONNECTOR >	
CNP703	1-695-089-11	PIN, CONNECTOR (PC BOARD) 11P	
CNS702	1-695-096-11	SOCKET, CONNECTOR 15P	
CNS905	1-695-092-11	SOCKET, CONNECTOR 7P	

*	1-665-487-11	SECONDARY BOARD	

	1-533-217-31	HOLDER, FUSE (AUS)	
		< CAPACITOR >	
C801	1-126-964-11	ELECT 10uF 20%	50V (US,CND)
C805	1-137-420-11	FILM 0.047uF 10%	100V (US,CND)
C805	1-130-781-00	FILM 0.22uF 10%	100V (AUS)
C806	1-137-420-11	FILM 0.047uF 10%	100V (US,CND)
C806	1-130-781-00	FILM 0.22uF 10%	100V (AUS)
		< CONNECTOR >	
* CNP801	1-564-905-11	PIN, CONNECTOR 9P	
		< DIODE >	
D801	8-719-302-38	DIODE RBV-602-01	
D802	8-719-024-99	DIODE 11ES2-NTA2B	
D803	8-719-024-99	DIODE 11ES2-NTA2B	
D804	8-719-024-99	DIODE 11ES2-NTA2B	
D805	8-719-024-99	DIODE 11ES2-NTA2B	
D806	8-719-014-66	DIODE UZP-5.6B	
		< FUSE >	
△ F950	1-532-506-51	FUSE, TIME LAG (T6.3AL/250V) (AUS)	
△ F951	1-532-506-51	FUSE, TIME LAG (T6.3AL/250V) (AUS)	
△ PS801	1-533-909-11	MICRO FUSE 4.0A	
△ PS802	1-533-909-11	MICRO FUSE 4.0A	

Ref. No.	Part No.	Description	Remark
*	A-4392-941-A	SP BOARD, COMPLETE (D560Z/D660Z)	
*	A-4392-913-A	SP BOARD, COMPLETE (DE615/DE715:US,CND)	
*	A-4392-936-A	SP BOARD, COMPLETE (DE715 : AUS)	

		< CAPACITOR >	
C624	1-126-964-11	ELECT 10uF 20%	50V
C625	1-136-157-00	FILM 0.022uF 5%	50V
C626	1-136-153-00	FILM 0.01uF 5%	50V
C724	1-126-964-11	ELECT 10uF 20%	50V
C725	1-136-157-00	FILM 0.022uF 5%	50V
C726	1-136-153-00	FILM 0.01uF 5%	50V
C775	1-136-157-00	FILM 0.022uF 5%	50V
C794	1-126-967-11	ELECT 47uF 20%	50V
C795	1-126-941-11	ELECT 470uF 20%	25V
		< JACK >	
CNJ701	1-774-136-11	CONNECTOR, ROUND TYPE 6P (WIRELESS REAR SPEAKER) (DE615/DE715)	
		< CONNECTOR >	
CNP603	1-564-320-00	PIN, CONNECTOR (B2P-VH) 2P	
CNS703	1-695-094-11	SOCKET, CONNECTOR 11P	
		< DIODE >	
D543	8-719-987-63	DIODE 1N4148M	
D605	8-719-987-63	DIODE 1N4148M	
D606	8-719-987-63	DIODE 1N4148M	
D607	8-719-987-63	DIODE 1N4148M	
D649	8-719-987-63	DIODE 1N4148M	
D705	8-719-987-63	DIODE 1N4148M	
D706	8-719-987-63	DIODE 1N4148M	
D749	8-719-987-63	DIODE 1N4148M	
		< IC >	
IC702	8-759-605-01	IC M5F78M18L (DE615/DE715:US,CND)	
IC702	8-759-634-65	IC M5278D09 (DE715 : AUS)	
		< JACK >	
J501	1-770-377-31	JACK, PIN 1P (WOOFER AUDIO OUT)	
		< COIL >	
L601	1-420-872-00	COIL, AIR-CORE	
L701	1-420-872-00	COIL, AIR-CORE	
L751	1-420-872-00	COIL, AIR-CORE	
		< TRANSISTOR >	
Q544	8-729-119-79	TRANSISTOR 2SC2785-FEK	
Q609	8-729-281-53	TRANSISTOR 2SC1815-GR	
Q610	8-729-900-63	TRANSISTOR DTA124ES	
Q611	8-729-900-63	TRANSISTOR DTA124ES	
Q645	8-729-119-79	TRANSISTOR 2SC2785-FEK	
Q709	8-729-281-53	TRANSISTOR 2SC1815-GR	
Q710	8-729-900-63	TRANSISTOR DTA124ES	
Q745	8-729-119-79	TRANSISTOR 2SC2785-FEK	
Q747	8-729-119-79	TRANSISTOR 2SC2785-FEK (DE615/DE715)	

The components identified by mark △ or dotted line with mark △ are critical for safety. Replace only with part number specified.	Les composants identifiés par une marque △ sont critiques pour la sécurité. Ne les remplacer que par une pièce portant le numéro spécifié.
--	--

Ref. No.	Part No.	Description	Remark	Ref. No.	Part No.	Description	Remark
Q748	8-729-030-19	TRANSISTOR 2SB1640 (DE615/DE715)		*	1-665-481-11	SP.SW BOARD (D660Z/DE715)	
		< RESISTOR >		*	1-665-470-11	SP.SW BOARD (D560Z/DE615)	

R543	1-249-429-11	CARBON	10K 5% 1/4W			< CONNECTOR >	
R544	1-249-425-11	CARBON	4.7K 5% 1/4W				
△R545	1-249-393-11	CARBON	10 5% 1/4W F	* CNS101	1-695-808-11	CONNECTOR, PC BOARD 8P	
R546	1-249-421-11	CARBON	2.2K 5% 1/4W			< DIODE >	
R629	1-247-866-11	CARBON	30K 5% 1/4W				
R630	1-249-421-11	CARBON	2.2K 5% 1/4W	D152	8-719-987-63	DIODE 1N4148M	
R631	1-249-433-11	CARBON	22K 5% 1/4W	D153	8-719-987-63	DIODE 1N4148M	
△R633	1-249-393-11	CARBON	10 5% 1/4W F			< SWITCH >	
△R634	1-249-389-11	CARBON	4.7 5% 1/4W F				
R635	1-249-431-11	CARBON	15K 5% 1/4W	S136	1-762-751-11	SWITCH, TACTILE (DPC MODE)	
R636	1-249-433-11	CARBON	22K 5% 1/4W	S155	1-762-268-11	SWITCH, ROTARY (SPEAKERS)	
R646	1-249-432-11	CARBON	18K 5% 1/4W			*****	
R647	1-249-429-11	CARBON	10K 5% 1/4W				
R648	1-249-425-11	CARBON	4.7K 5% 1/4W	*	A-4392-915-A	STAND BY BOARD, COMPLETE (US,CND)	
△R649	1-249-393-11	CARBON	10 5% 1/4W F	*	A-4392-939-A	STAND BY BOARD, COMPLETE (AUS)	

R729	1-247-866-11	CARBON	30K 5% 1/4W				
R730	1-249-421-11	CARBON	2.2K 5% 1/4W			1-533-217-31	HOLDER, FUSE
R731	1-249-433-11	CARBON	22K 5% 1/4W			< CAPACITOR >	
△R733	1-249-393-11	CARBON	10 5% 1/4W F				
△R734	1-249-389-11	CARBON	4.7 5% 1/4W F				
R735	1-249-431-11	CARBON	15K 5% 1/4W	C901	1-136-157-00	FILM 0.022uF 5% 50V	
R737	1-249-417-11	CARBON	1K 5% 1/4W	C902	1-136-157-00	FILM 0.022uF 5% 50V	
			(DE615/DE715)	C903	1-126-768-11	ELECT 2200uF 20% 16V	
R738	1-247-886-11	CARBON	200K 5% 1/4W	C904	1-126-960-11	ELECT 1uF 20% 50V	
			(DE615/DE715)	C905	1-126-959-11	ELECT 0.47uF 20% 50V	
R743	1-249-425-11	CARBON	4.7K 5% 1/4W	C906	1-124-464-11	ELECT 0.22uF 20% 50V	
			(DE615/DE715)	C913	1-164-159-11	CERAMIC 0.1uF 50V	
R744	1-249-425-11	CARBON	4.7K 5% 1/4W	C914	1-164-159-11	CERAMIC 0.1uF 50V	
			(DE615/DE715)			< JACK >	
R745	1-249-421-11	CARBON	2.2K 5% 1/4W				
			(DE615/DE715)	△CNJ901	1-540-060-11	OUTLET, AC (POLAR) (AC OUTLET) (US,CND)	
R746	1-249-421-11	CARBON	2.2K 5% 1/4W			< CONNECTOR >	
			(DE615/DE715)				
R747	1-249-429-11	CARBON	10K 5% 1/4W	CNP903	1-564-321-00	PIN, CONNECTOR 2P	
R748	1-249-425-11	CARBON	4.7K 5% 1/4W	* CNP904	1-580-230-21	PIN, CONNECTOR (PC BOARD) 2P (AUS)	
△R749	1-249-393-11	CARBON	10 5% 1/4W F	CNP905	1-695-087-11	PIN, CONNECTOR (PC BOARD) 7P	
△R783	1-249-393-11	CARBON	10 5% 1/4W F			< DIODE >	
△R784	1-249-389-11	CARBON	4.7 5% 1/4W F				
R787	1-249-417-11	CARBON	1K 5% 1/4W	D901	8-719-024-99	DIODE 11ES2-NTA2B	
			(DE615/DE715)	D902	8-719-024-99	DIODE 11ES2-NTA2B	
R788	1-247-886-11	CARBON	200K 5% 1/4W	D903	8-719-024-99	DIODE 11ES2-NTA2B	
			(DE615/DE715)	D904	8-719-024-99	DIODE 11ES2-NTA2B	
				D905	8-719-987-63	DIODE 1N4148M	
		< RELAY >		D906	8-719-987-63	DIODE 1N4148M	
RY503	1-515-793-11	RELAY		D907	8-719-987-63	DIODE 1N4148M	
RY601	1-515-920-11	RELAY (24V)				< TERMINAL, EARTH >	
RY701	1-515-920-11	RELAY (24V)		* EB900	1-537-738-21	TERMINAL, EARTH	
		< SWITCH >				< FUSE >	
S501	1-692-196-11	SWITCH, SLIDE (IMPEDANCE SELECTOR FRONT)		△F901	1-532-506-51	FUSE, TIME LAG (T6.3AL/250V) (AUS)	
		< TERMINAL >		△F901	1-533-310-11	FUSE, GLASS CYLINDRICAL(DIA.5) (6.3A/125V) (US,CND)	
TM701	1-537-510-11	TERMINAL BOARD (SPEAKER) (6P)		△F902	1-532-464-51	FUSE, TIME LAG (T2.5AL/250V) (AUS)	

The components identified by mark △ or dotted line with mark △ are critical for safety. Replace only with part number specified.	Les composants identifiés par une marque △ sont critiques pour la sécurité. Ne les remplacer que par une pièce portant le numéro spécifié.
---	---

STAND BY

SURR

Ref. No.	Part No.	Description	Remark		
		< IC >			
IC901	8-759-333-83	IC NJM2103D			
		< TRANSISTOR >			
Q901	8-729-119-79	TRANSISTOR 2SC2785-FEK			
Q902	8-729-030-18	TRANSISTOR 2SD2525			
		< RESISTOR >			
△ R901	1-202-725-00	SOLID	3.3M	10%	1/2W (US,CND)
R902	1-249-429-11	CARBON	10K	5%	1/4W
R903	1-249-425-11	CARBON	4.7K	5%	1/4W
R904	1-249-417-11	CARBON	1K	5%	1/4W
R905	1-249-428-11	CARBON	8.2K	5%	1/4W
R906	1-249-421-11	CARBON	2.2K	5%	1/4W
R908	1-249-433-11	CARBON	22K	5%	1/4W
R909	1-249-439-11	CARBON	68K	5%	1/4W
R910	1-249-437-11	CARBON	47K	5%	1/4W
R912	1-249-430-11	CARBON	12K	5%	1/4W
		< RELAY >			
△ RY901	1-515-999-11	RELAY, POWER			
		< TRANSFORMER >			
△ T902	1-450-361-11	TRANSFORMER, POWER (US,CND)			
△ T902	1-450-358-11	TRANSFORMER, POWER (AUS)			

*	A-4392-905-A	SURR BOARD, COMPLETE (US,CND)			
*	A-4392-931-A	SURR BOARD, COMPLETE (AUS)			

		< CAPACITOR >			
C301	1-126-963-11	ELECT	4.7uF	20%	50V
C302	1-162-282-31	CERAMIC	100PF	10%	50V
C303	1-126-967-11	ELECT	47uF	20%	16V
C304	1-130-480-00	MYLAR	0.0056uF	5%	50V
C305	1-130-473-00	MYLAR	0.0015uF	5%	50V
C306	1-126-960-11	ELECT	1uF	20%	50V
C307	1-164-159-11	CERAMIC	0.1uF		50V
C351	1-126-963-11	ELECT	4.7uF	20%	50V
C352	1-162-282-31	CERAMIC	100PF	10%	50V
C353	1-126-967-11	ELECT	47uF	20%	16V
C354	1-130-480-00	MYLAR	0.0056uF	5%	50V
C355	1-130-473-00	MYLAR	0.0015uF	5%	50V
C356	1-126-960-11	ELECT	1uF	20%	50V
C357	1-164-159-11	CERAMIC	0.1uF		50V
C394	1-126-967-11	ELECT	47uF	20%	16V
C395	1-126-967-11	ELECT	47uF	20%	16V
C396	1-162-282-31	CERAMIC	100PF	10%	50V
C397	1-162-294-31	CERAMIC	0.001uF	10%	50V
C401	1-126-964-11	ELECT	10uF	20%	50V
C402	1-126-964-11	ELECT	10uF	20%	50V
C403	1-126-964-11	ELECT	10uF	20%	50V
C404	1-162-199-31	CERAMIC	10PF	5%	50V
C405	1-162-199-31	CERAMIC	10PF	5%	50V
C406	1-126-964-11	ELECT	10uF	20%	50V

Ref. No.	Part No.	Description	Remark		
C410	1-164-159-11	CERAMIC	0.1uF		50V
C413	1-126-964-11	ELECT	10uF	20%	50V
C420	1-136-165-00	FILM	0.1uF	5%	50V
C421	1-126-933-11	ELECT	100uF	20%	16V
C422	1-164-159-11	CERAMIC	0.1uF		50V
C423	1-126-933-11	ELECT	100uF	20%	16V
C424	1-164-159-11	CERAMIC	0.1uF		50V
C425	1-128-551-11	ELECT	22uF	20%	25V
C426	1-136-177-00	FILM	1uF	5%	50V
C427	1-136-153-00	FILM	0.01uF	5%	50V
C428	1-130-474-00	MYLAR	0.0018uF	5%	50V
C429	1-136-163-00	FILM	0.068uF	5%	50V
C430	1-136-165-00	FILM	0.1uF	5%	50V
C431	1-136-165-00	FILM	0.1uF	5%	50V
C432	1-136-163-00	FILM	0.068uF	5%	50V
C433	1-136-153-00	FILM	0.01uF	5%	50V
C434	1-130-474-00	MYLAR	0.0018uF	5%	50V
C435	1-136-163-00	FILM	0.068uF	5%	50V
C436	1-136-165-00	FILM	0.1uF	5%	50V
C437	1-130-467-00	MYLAR	470PF	5%	50V
C438	1-136-165-00	FILM	0.1uF	5%	50V
C439	1-130-470-00	MYLAR	820PF	5%	50V
C440	1-130-480-00	MYLAR	0.0056uF	5%	50V
C441	1-136-161-00	FILM	0.047uF	5%	50V
C442	1-136-175-00	FILM	0.68uF	5%	50V
C443	1-136-169-00	FILM	0.22uF	5%	50V
C444	1-136-169-00	FILM	0.22uF	5%	50V
C445	1-126-963-11	ELECT	4.7uF	20%	50V
C446	1-126-963-11	ELECT	4.7uF	20%	50V
C447	1-136-169-00	FILM	0.22uF	5%	50V
C448	1-136-169-00	FILM	0.22uF	5%	50V
C449	1-136-165-00	FILM	0.1uF	5%	50V
C450	1-136-161-00	FILM	0.047uF	5%	50V
C451	1-126-964-11	ELECT	10uF	20%	50V
C452	1-126-964-11	ELECT	10uF	20%	50V
C453	1-126-964-11	ELECT	10uF	20%	50V
C454	1-162-199-31	CERAMIC	10PF	5%	50V
C455	1-162-199-31	CERAMIC	10PF	5%	50V
C456	1-126-964-11	ELECT	10uF	20%	50V
C460	1-164-159-11	CERAMIC	0.1uF		50V
C463	1-126-964-11	ELECT	10uF	20%	50V
C469	1-126-963-11	ELECT	4.7uF	20%	50V
C470	1-136-161-00	FILM	0.047uF	5%	50V
C471	1-136-165-00	FILM	0.1uF	5%	50V
C472	1-136-165-00	FILM	0.1uF	5%	50V
C473	1-136-157-00	FILM	0.022uF	5%	50V
C474	1-136-157-00	FILM	0.022uF	5%	50V
C475	1-136-165-00	FILM	0.1uF	5%	50V
C476	1-130-469-00	MYLAR	680PF	5%	50V
C477	1-126-967-11	ELECT	47uF	20%	16V
C478	1-136-165-00	FILM	0.1uF	5%	50V
C479	1-136-165-00	FILM	0.1uF	5%	50V
C480	1-130-469-00	MYLAR	680PF	5%	50V
C481	1-136-165-00	FILM	0.1uF	5%	50V
C482	1-136-165-00	FILM	0.1uF	5%	50V
C483	1-126-967-11	ELECT	47uF	20%	16V

The components identified by mark △ or dotted line with mark △ are critical for safety. Replace only with part number specified.	Les composants identifiés par une marque △ sont critiques pour la sécurité. Ne les remplacer que par une pièce portant le numéro spécifié.
---	---

Ref. No.	Part No.	Description	Remark	Ref. No.	Part No.	Description	Remark
C484	1-126-933-11	ELECT	100uF 20% 16V	D403	8-719-024-99	DIODE 11ES2-NTA2B	
C489	1-164-159-11	CERAMIC	0.1uF 50V			< IC >	
C490	1-126-923-11	ELECT	220uF 20% 10V	IC301	8-759-805-14	IC LC7822	
C491	1-126-963-11	ELECT	4.7uF 20% 50V	IC302	8-759-636-74	IC M5218AP-22	
C492	1-130-481-00	MYLAR	0.0068uF 5% 50V	IC401	8-759-392-97	IC M62460FP	
C493	1-136-165-00	FILM	0.1uF 5% 50V	IC402	8-759-634-51	IC M5218AP	
C494	1-136-165-00	FILM	0.1uF 5% 50V	IC403	8-759-634-51	IC M5218AP	
C497	1-162-215-31	CERAMIC	47PF 5% 50V	IC404	8-759-634-51	IC M5218AP	
C498	1-164-159-11	CERAMIC	0.1uF 50V	IC407	8-759-168-20	IC TA78L09S	
C499	1-126-964-11	ELECT	10uF 20% 50V	IC408	8-759-708-05	IC NJM78L05A	
C501	1-126-964-11	ELECT	10uF 20% 50V	IC501	8-759-326-52	IC uPC2581V	
C502	1-162-282-31	CERAMIC	100PF 10% 50V	IC502	8-759-072-32	IC TC9184P	
C503	1-107-601-11	CERAMIC	33PF 5% 500V	IC601	8-749-011-16	IC STK350-230	
C505	1-126-933-11	ELECT	100uF 20% 16V			< JACK >	
C508	1-136-163-00	FILM	0.068uF 5% 50V	J301	1-770-015-11	JACK, PIN 6P (DAT/MD REC OUT, CD IN, PHONO IN)	
C509	1-136-154-00	FILM	0.012uF 5% 50V	J302	1-774-411-11	JACK, PIN 6P (TAPE IN/OUT, DAT/MD IN)	
C511	1-130-476-00	MYLAR	0.0027uF 5% 50V			< COIL >	
C512	1-136-157-00	FILM	0.022uF 5% 50V	L401	1-410-509-11	INDUCTOR 10uH	
C513	1-136-171-00	FILM	0.33uF 5% 50V	L402	1-410-509-11	INDUCTOR 10uH	
C514	1-136-159-00	FILM	0.033uF 5% 50V	L403	1-410-509-11	INDUCTOR 10uH	
C527	1-126-964-11	ELECT	10uF 20% 50V			< TRANSISTOR >	
C539	1-162-282-31	CERAMIC	100PF 10% 50V	Q402	8-729-922-37	TRANSISTOR 2SD2144S	
C551	1-126-964-11	ELECT	10uF 20% 50V	Q410	8-729-119-79	TRANSISTOR 2SC2785-FEK	
C552	1-162-282-31	CERAMIC	100PF 10% 50V	Q411	8-729-900-63	TRANSISTOR DTA124ES	
C553	1-107-601-11	CERAMIC	33PF 5% 500V	Q412	8-729-900-63	TRANSISTOR DTA124ES	
C555	1-126-933-11	ELECT	100uF 20% 16V	Q413	8-729-900-63	TRANSISTOR DTA124ES	
C558	1-136-163-00	FILM	0.068uF 5% 50V	Q414	8-729-900-63	TRANSISTOR DTA124ES	
C559	1-136-154-00	FILM	0.012uF 5% 50V	Q415	8-729-900-36	TRANSISTOR DTC124ES	
C561	1-130-476-00	MYLAR	0.0027uF 5% 50V	Q416	8-729-900-36	TRANSISTOR DTC124ES	
C562	1-136-157-00	FILM	0.022uF 5% 50V	Q452	8-729-922-37	TRANSISTOR 2SD2144S	
C563	1-136-171-00	FILM	0.33uF 5% 50V	Q501	8-729-202-67	TRANSISTOR 2SK246-GR3	
C564	1-136-159-00	FILM	0.033uF 5% 50V	Q502	8-729-141-30	TRANSISTOR 2SC3623A-LK	
C577	1-126-964-11	ELECT	10uF 20% 50V	Q503	8-729-140-84	TRANSISTOR 2SC1841-PAFAEA	
C589	1-162-282-31	CERAMIC	100PF 10% 50V	Q551	8-729-202-67	TRANSISTOR 2SK246-GR3	
C592	1-126-967-11	ELECT	47uF 20% 16V	Q552	8-729-141-30	TRANSISTOR 2SC3623A-LK	
C593	1-126-923-11	ELECT	220uF 20% 10V			< RESISTOR >	
C594	1-128-560-11	ELECT	22uF 20% 100V	R301	1-249-409-11	CARBON 220 5% 1/4W	
C595	1-128-560-11	ELECT	22uF 20% 100V	R302	1-249-441-11	CARBON 100K 5% 1/4W	
C596	1-164-159-11	CERAMIC	0.1uF 50V	R303	1-249-441-11	CARBON 100K 5% 1/4W	
C597	1-162-282-31	CERAMIC	100PF 10% 50V	R304	1-249-416-11	CARBON 820 5% 1/4W	
C599	1-126-967-11	ELECT	47uF 20% 16V	R305	1-247-897-11	CARBON 560K 5% 1/4W	
C601	1-126-964-11	ELECT	10uF 20% 50V	R306	1-249-437-11	CARBON 47K 5% 1/4W	
C602	1-162-282-31	CERAMIC	100PF 10% 50V	R307	1-249-441-11	CARBON 100K 5% 1/4W	
C603	1-102-989-00	CERAMIC	68PF 5% 500V	R308	1-247-807-31	CARBON 100 5% 1/4W	
C604	1-164-040-11	CERAMIC	4PF 0.25PF 50V	R310	1-249-421-11	CARBON 2.2K 5% 1/4W	
C605	1-126-967-11	ELECT	47uF 20% 16V	R311	1-249-417-11	CARBON 1K 5% 1/4W	
C606	1-102-989-00	CERAMIC	68PF 5% 500V	R312	1-249-417-11	CARBON 1K 5% 1/4W	
		< CONNECTOR >		R313	1-249-417-11	CARBON 1K 5% 1/4W	
CNP303	1-695-090-11	PIN, CONNECTOR (PC BOARD)	13P	R314	1-249-417-11	CARBON 1K 5% 1/4W	
CNP403	1-695-088-11	PIN, CONNECTOR (PC BOARD)	9P	R315	1-249-429-11	CARBON 10K 5% 1/4W	
CNP404	1-695-089-11	PIN, CONNECTOR (PC BOARD)	11P	R351	1-249-409-11	CARBON 220 5% 1/4W	
CNS106	1-569-323-11	SOCKET, CONNECTOR	19P			< DIODE >	
CNS401	1-569-323-11	SOCKET, CONNECTOR	19P	R352	1-249-441-11	CARBON 100K 5% 1/4W	
CNS501	1-770-404-11	HOUSING,CONNECTOR(PC BOARD)	11P	R353	1-249-441-11	CARBON 100K 5% 1/4W	
CNS601	1-770-404-11	HOUSING,CONNECTOR(PC BOARD)	11P				
D401	8-719-987-63	DIODE 1N4148M					
D402	8-719-987-63	DIODE 1N4148M					

SURR

Ref. No.	Part No.	Description			Remark	Ref. No.	Part No.	Description			Remark	
R354	1-249-416-11	CARBON	820	5%	1/4W	R457	1-249-441-11	CARBON	100K	5%	1/4W	
R355	1-247-897-11	CARBON	560K	5%	1/4W							
R356	1-249-437-11	CARBON	47K	5%	1/4W	R458	1-249-429-11	CARBON	10K	5%	1/4W	
						R459	1-249-433-11	CARBON	22K	5%	1/4W	
R357	1-249-441-11	CARBON	100K	5%	1/4W	R464	1-249-417-11	CARBON	1K	5%	1/4W	
R358	1-247-807-31	CARBON	100	5%	1/4W	R465	1-249-425-11	CARBON	4.7K	5%	1/4W	
R360	1-249-421-11	CARBON	2.2K	5%	1/4W	R475	1-247-872-11	CARBON	51K	5%	1/4W	
R361	1-249-417-11	CARBON	1K	5%	1/4W							
R362	1-249-417-11	CARBON	1K	5%	1/4W	R483	1-249-441-11	CARBON	100K	5%	1/4W	
						R484	1-249-441-11	CARBON	100K	5%	1/4W	
R363	1-249-417-11	CARBON	1K	5%	1/4W	R485	1-249-441-11	CARBON	100K	5%	1/4W	
R364	1-249-417-11	CARBON	1K	5%	1/4W	R486	1-249-437-11	CARBON	47K	5%	1/4W	
R365	1-249-429-11	CARBON	10K	5%	1/4W	R487	1-249-437-11	CARBON	47K	5%	1/4W	
R394	1-247-807-31	CARBON	100	5%	1/4W							
R395	1-247-807-31	CARBON	100	5%	1/4W	R488	1-249-437-11	CARBON	47K	5%	1/4W	
						R489	1-249-437-11	CARBON	47K	5%	1/4W	
R396	1-249-417-11	CARBON	1K	5%	1/4W	R490	1-249-433-11	CARBON	22K	5%	1/4W	
R397	1-249-425-11	CARBON	4.7K	5%	1/4W	R491	1-249-429-11	CARBON	10K	5%	1/4W	
R401	1-249-433-11	CARBON	22K	5%	1/4W	R492	1-249-416-11	CARBON	820	5%	1/4W	
R402	1-249-434-11	CARBON	27K	5%	1/4W							
R403	1-249-417-11	CARBON	1K	5%	1/4W	R493	1-249-417-11	CARBON	1K	5%	1/4W	
						R494	1-249-417-11	CARBON	1K	5%	1/4W	
R404	1-249-425-11	CARBON	4.7K	5%	1/4W	R495	1-249-421-11	CARBON	2.2K	5%	1/4W	
R405	1-249-440-11	CARBON	82K	5%	1/4W	R496	1-249-421-11	CARBON	2.2K	5%	1/4W	
R406	1-247-895-00	CARBON	470K	5%	1/4W	R497	1-247-887-00	CARBON	220K	5%	1/4W	
R407	1-249-441-11	CARBON	100K	5%	1/4W							
R408	1-249-429-11	CARBON	10K	5%	1/4W	R498	1-247-887-00	CARBON	220K	5%	1/4W	
						R499	1-249-417-11	CARBON	1K	5%	1/4W	
R409	1-249-433-11	CARBON	22K	5%	1/4W	R500	1-249-417-11	CARBON	1K	5%	1/4W	
R414	1-249-417-11	CARBON	1K	5%	1/4W	R501	1-249-417-11	CARBON	1K	5%	1/4W	
R415	1-249-425-11	CARBON	4.7K	5%	1/4W	R502	1-249-439-11	CARBON	68K	5%	1/4W	
R426	1-249-429-11	CARBON	10K	5%	1/4W							
R427	1-249-429-11	CARBON	10K	5%	1/4W	R503	1-249-439-11	CARBON	68K	5%	1/4W	
						R504	1-249-411-11	CARBON	330	5%	1/4W	
R428	1-247-903-00	CARBON	1M	5%	1/4W	R508	1-249-436-11	CARBON	39K	5%	1/4W	
R429	1-247-872-11	CARBON	51K	5%	1/4W	R509	1-247-903-00	CARBON	1M	5%	1/4W	
R430	1-247-887-00	CARBON	220K	5%	1/4W	R510	1-249-425-11	CARBON	4.7K	5%	1/4W	
R431	1-247-864-11	CARBON	24K	5%	1/4W							
R432	1-247-864-11	CARBON	24K	5%	1/4W	R511	1-249-434-11	CARBON	27K	5%	1/4W	
						R513	1-249-426-11	CARBON	5.6K	5%	1/4W	
R433	1-247-891-00	CARBON	330K	5%	1/4W	R514	1-249-418-11	CARBON	1.2K	5%	1/4W	
R434	1-249-437-11	CARBON	47K	5%	1/4W	R515	1-249-441-11	CARBON	100K	5%	1/4W	
R435	1-249-431-11	CARBON	15K	5%	1/4W	R516	1-247-843-11	CARBON	3.3K	5%	1/4W	
R436	1-247-852-11	CARBON	7.5K	5%	1/4W							
R437	1-249-437-11	CARBON	47K	5%	1/4W	R517	1-247-883-00	CARBON	150K	5%	1/4W	
						R518	1-249-427-11	CARBON	6.8K	5%	1/4W	
R438	1-249-431-11	CARBON	15K	5%	1/4W	R519	1-249-413-11	CARBON	470	5%	1/4W	
R439	1-247-852-11	CARBON	7.5K	5%	1/4W	R536	1-247-897-11	CARBON	560K	5%	1/4W	
R440	1-259-880-11	CARBON	2.2M	5%	1/4W	R537	1-249-417-11	CARBON	1K	5%	1/4W	
R441	1-249-441-11	CARBON	100K	5%	1/4W							
R442	1-247-883-00	CARBON	150K	5%	1/4W	R551	1-249-417-11	CARBON	1K	5%	1/4W	
						R552	1-249-439-11	CARBON	68K	5%	1/4W	
R443	1-249-431-11	CARBON	15K	5%	1/4W	R553	1-249-439-11	CARBON	68K	5%	1/4W	
R444	1-249-429-11	CARBON	10K	5%	1/4W	R554	1-249-411-11	CARBON	330	5%	1/4W	
R445	1-249-429-11	CARBON	10K	5%	1/4W	R555	1-249-419-11	CARBON	1.5K	5%	1/4W	
R446	1-249-419-11	CARBON	1.5K	5%	1/4W							
R447	1-249-429-11	CARBON	10K	5%	1/4W	△ R556	1-249-393-11	CARBON	10	5%	1/4W	F
						△ R557	1-249-393-11	CARBON	10	5%	1/4W	F
R448	1-249-429-11	CARBON	10K	5%	1/4W	R558	1-249-436-11	CARBON	39K	5%	1/4W	
R449	1-249-425-11	CARBON	4.7K	5%	1/4W	R559	1-247-903-00	CARBON	1M	5%	1/4W	
R450	1-249-441-11	CARBON	100K	5%	1/4W	R560	1-249-425-11	CARBON	4.7K	5%	1/4W	
R451	1-249-433-11	CARBON	22K	5%	1/4W							
R452	1-249-434-11	CARBON	27K	5%	1/4W	R561	1-249-434-11	CARBON	27K	5%	1/4W	
						R563	1-249-426-11	CARBON	5.6K	5%	1/4W	
R453	1-249-417-11	CARBON	1K	5%	1/4W	R564	1-249-418-11	CARBON	1.2K	5%	1/4W	
R454	1-249-425-11	CARBON	4.7K	5%	1/4W	R565	1-249-441-11	CARBON	100K	5%	1/4W	
R455	1-249-440-11	CARBON	82K	5%	1/4W	R566	1-247-843-11	CARBON	3.3K	5%	1/4W	
R456	1-247-895-00	CARBON	470K	5%	1/4W							

The components identified by mark △ or dotted line with mark △ are critical for safety. Replace only with part number specified.	Les composants identifiés par une marque △ sont critiques pour la sécurité. Ne les remplacer que par une pièce portant le numéro spécifié.
---	---

SURR

SURR-AUDIO

SW

VIDEO

Ref. No.	Part No.	Description	Remark
R567	1-247-883-00	CARBON 150K 5%	1/4W
R568	1-249-427-11	CARBON 6.8K 5%	1/4W
R569	1-249-413-11	CARBON 470 5%	1/4W
R591	1-247-897-11	CARBON 560K 5%	1/4W
R592	1-249-425-11	CARBON 4.7K 5%	1/4W
R593	1-249-435-11	CARBON 33K 5%	1/4W
R594	1-249-425-11	CARBON 4.7K 5%	1/4W
R595	1-247-903-00	CARBON 1M 5%	1/4W
R596	1-249-419-11	CARBON 1.5K 5%	1/4W
R599	1-249-425-11	CARBON 4.7K 5%	1/4W
R601	1-249-417-11	CARBON 1K 5%	1/4W
R602	1-249-439-11	CARBON 68K 5%	1/4W
R603	1-249-411-11	CARBON 330 5%	1/4W
R604	1-249-439-11	CARBON 68K 5%	1/4W
R605	1-249-413-11	CARBON 470 5%	1/4W
< RELAY >			
RY401	1-515-614-11	RELAY	
< TERMINAL >			
TM401	1-694-265-11	TERMINAL BOARD, ANT (ANTENNA) (US,CND)	
TM401	1-694-266-11	TERMINAL BOARD, ANT (ANTENNA) (AUS)	
< TUNER >			
TU401	1-233-592-11	TUNER (US,CND)	
TU401	1-693-377-11	TUNER (AUS)	
< VIBRATOR >			
X401	1-567-819-11	VIBRATOR, CERAMIC (4MHz)	

*	1-665-490-11	SURR-AUDIO BOARD	

< CONNECTOR >			
CNP302	1-695-090-11	PIN, CONNECTOR (PC BOARD) 13P	
CNS303	1-695-095-11	SOCKET, CONNECTOR 13P	

*	A-4392-908-A	SW BOARD, COMPLETE	

< CONNECTOR >			
CNS103	1-770-397-11	HOUSING, CONNECTOR(PC BOARD)4P	
< RESISTOR >			
R169	1-249-411-11	CARBON 330 5%	1/4W
R170	1-249-413-11	CARBON 470 5%	1/4W
R171	1-249-415-11	CARBON 680 5%	1/4W
R172	1-249-417-11	CARBON 1K 5%	1/4W
R173	1-249-419-11	CARBON 1.5K 5%	1/4W
R174	1-249-421-11	CARBON 2.2K 5%	1/4W
R175	1-249-425-11	CARBON 4.7K 5%	1/4W
R176	1-249-411-11	CARBON 330 5%	1/4W
R177	1-249-413-11	CARBON 470 5%	1/4W
R178	1-249-415-11	CARBON 680 5%	1/4W
R179	1-249-417-11	CARBON 1K 5%	1/4W
R180	1-249-419-11	CARBON 1.5K 5%	1/4W
R181	1-249-421-11	CARBON 2.2K 5%	1/4W

Ref. No.	Part No.	Description	Remark
R182	1-249-411-11	CARBON 330 5%	1/4W
R183	1-249-413-11	CARBON 470 5%	1/4W
R184	1-249-415-11	CARBON 680 5%	1/4W
R185	1-249-417-11	CARBON 1K 5%	1/4W
R186	1-249-419-11	CARBON 1.5K 5%	1/4W
R187	1-249-421-11	CARBON 2.2K 5%	1/4W
< SWITCH >			
S101	1-762-751-11	SWITCH, TACTILE (1)	
S102	1-762-751-11	SWITCH, TACTILE (4)	
S103	1-762-751-11	SWITCH, TACTILE (7)	
S104	1-762-751-11	SWITCH, TACTILE (0)	
S105	1-762-751-11	SWITCH, TACTILE (DIRECT PASS)	
S106	1-762-751-11	SWITCH, TACTILE (GENRE)	
S107	1-762-751-11	SWITCH, TACTILE (SET UP)	
S108	1-762-751-11	SWITCH, TACTILE (MODE)	
S109	1-762-751-11	SWITCH, TACTILE (2)	
S110	1-762-751-11	SWITCH, TACTILE (5)	
S111	1-762-751-11	SWITCH, TACTILE (8)	
S112	1-762-751-11	SWITCH, TACTILE (DIRECT)	
S113	1-762-751-11	SWITCH, TACTILE (AUDIO FUNCTION <)	
S114	1-762-751-11	SWITCH, TACTILE (SOUND FIELD ON/OFF)	
S115	1-762-751-11	SWITCH, TACTILE (AUDIO FUNCTION >)	
S116	1-762-751-11	SWITCH, TACTILE (3)	
S117	1-762-751-11	SWITCH, TACTILE (6)	
S118	1-762-751-11	SWITCH, TACTILE (9)	
S119	1-762-751-11	SWITCH, TACTILE (SHIFT)	
S120	1-762-751-11	SWITCH, TACTILE (VIDEO FUNCTION <)	
S121	1-762-751-11	SWITCH, TACTILE (5.1/DVD INPUT)	
S122	1-762-751-11	SWITCH, TACTILE (VIDEO FUNCTION >)	

*	A-4392-897-A	VIDEO BOARD, COMPLETE (D560Z/DE615)	
*	A-4392-924-A	VIDEO BOARD, COMPLETE (D660Z/DE715)	

< CAPACITOR >			
C201	1-126-960-11	ELECT 1uF 20%	50V
C202	1-126-960-11	ELECT 1uF 20%	50V
C203	1-126-960-11	ELECT 1uF 20%	50V
C204	1-126-964-11	ELECT 10uF 20%	50V
C205	1-126-964-11	ELECT 10uF 20%	50V
C206	1-126-964-11	ELECT 10uF 20%	50V
C207	1-126-933-11	ELECT 100uF 20%	16V
C208	1-126-933-11	ELECT 100uF 20%	16V
C209	1-164-159-11	CERAMIC 0.1uF	50V
C210	1-164-159-11	CERAMIC 0.1uF	50V
C212	1-164-159-11	CERAMIC 0.1uF	50V
C214	1-126-960-11	ELECT 1uF 20%	50V
< CONNECTOR >			
CNS201	1-750-179-11	SOCKET, CONNECTOR 5P	
< IC >			
IC201	8-759-061-95	IC SN761200	
< JACK >			
J201	1-766-399-11	JACK, PIN 3P (MONITOR VIDEO OUT, VIDEO1 VIDEO IN OUT)	

VIDEO

VOL

Ref. No.	Part No.	Description	Remark
J202	1-766-400-11	JACK, PIN 2P (VIDEO2 VIDEO IN OUT)	
J203	1-766-400-11	JACK, PIN 2P (TV/DBS VIDEO IN, 5.1/DVD VIDEO IN)	
< COIL >			
L201	1-410-521-11	INDUCTOR 100uH	
L202	1-410-521-11	INDUCTOR 100uH	
< TRANSISTOR >			
Q201	8-729-119-76	TRANSISTOR 2SA1175-HFE	
Q202	8-729-620-05	TRANSISTOR 2SC2603-EF	
Q203	8-729-620-05	TRANSISTOR 2SC2603-EF	
Q204	8-729-119-76	TRANSISTOR 2SA1175-HFE	
Q205	8-729-119-76	TRANSISTOR 2SA1175-HFE	
Q206	8-729-620-05	TRANSISTOR 2SC2603-EF	
< RESISTOR >			
R201	1-249-403-11	CARBON 68 5% 1/4W	
R202	1-249-403-11	CARBON 68 5% 1/4W	
R203	1-249-403-11	CARBON 68 5% 1/4W	
R204	1-249-403-11	CARBON 68 5% 1/4W	
R205	1-249-403-11	CARBON 68 5% 1/4W	
R206	1-249-403-11	CARBON 68 5% 1/4W	
R207	1-249-403-11	CARBON 68 5% 1/4W	
R208	1-249-430-11	CARBON 12K 5% 1/4W	
R209	1-249-419-11	CARBON 1.5K 5% 1/4W	
R210	1-249-426-11	CARBON 5.6K 5% 1/4W	
R211	1-249-430-11	CARBON 12K 5% 1/4W	
R212	1-249-419-11	CARBON 1.5K 5% 1/4W	
R213	1-249-426-11	CARBON 5.6K 5% 1/4W	
R214	1-249-403-11	CARBON 68 5% 1/4W	
R215	1-249-403-11	CARBON 68 5% 1/4W	
R216	1-247-807-31	CARBON 100 5% 1/4W	
R217	1-249-430-11	CARBON 12K 5% 1/4W	
R218	1-249-419-11	CARBON 1.5K 5% 1/4W	
R219	1-249-426-11	CARBON 5.6K 5% 1/4W	
R220	1-249-403-11	CARBON 68 5% 1/4W	

*	1-665-477-11	VOL BOARD (D660Z/DE715)	
*	1-665-466-11	VOL BOARD (D560Z/DE615) *****	
< CAPACITOR >			
C497	1-126-964-11	ELECT 10uF 20% 50V	
< CONNECTOR >			
CNP102	1-770-388-11	PIN, CONNECTOR (PC BOARD) 4P	
CNS402	1-569-323-11	SOCKET, CONNECTOR 19P	
CNS410	1-750-179-11	SOCKET, CONNECTOR 5P	
< VARIABLE RESISTOR >			
RV401	1-225-445-11	RES, VAR, CARBON 100KX6 (MASTER VOLUME)	

Ref. No.	Part No.	Description	Remark
		MISCELLANEOUS *****	
19	1-773-130-11	WIRE (FLAT TYPE) (19 CORE) (100mm)	
20	1-769-928-11	WIRE (FLAT TYPE) (9 CORE) (DE715:US,CND)	
22	1-773-115-11	WIRE (FLAT TYPE) (19 CORE) (320mm)	
57	1-773-108-11	WIRE (FLAT TYPE) (19 CORE) (160mm)	
△60	1-696-847-11	CORD, POWER (AUS)	
△60	1-769-743-11	CORD, POWER (US,CND)	
103	1-533-217-31	HOLDER, FUSE	
△CNJ909	1-251-416-11	OUTLET, A.C. (AUS)	
△F901	1-532-506-51	FUSE, TIME LAG (T6.3AL/250V) (AUS)	
△F901	1-533-310-11	FUSE, GLASS CYLINDRICAL (DIA.5) (6.3A/125V) (US,CND)	
△F902	1-532-464-51	FUSE, TIME LAG (T2.5AL/250V) (AUS)	
△F950	1-532-506-51	FUSE, TIME LAG (T6.3AL/250V) (AUS)	
△F951	1-532-506-51	FUSE, TIME LAG (T6.3AL/250V) (AUS)	
FL101	1-517-519-11	INDICATOR TUBE, FLUORESCENT (D660Z/DE715)	
FL101	1-517-672-11	INDICATOR TUBE, FLUORESCENT (D560Z/DE615)	
△T902	1-431-274-11	TRANSFORMER, POWER (US,CND)	
△T902	1-431-288-11	TRANSFORMER, POWER (AUS)	

ACCESSORIES & PACKING MATERIALS *****			
	1-475-134-11	REMOTE COMMANDER (RM-P501) (D660Z/DE715)	
	1-475-135-11	REMOTE COMMANDER (RM-U501) (D560Z/DE615)	
	1-501-721-11	ANTENNA (LOOP)	
	1-776-258-11	CORD, AVC CONNECTION (AUDIO,VIDEO, CONTROL S,150cm) (DE715:US,CND)	
	1-777-172-11	CORD, CONNECTION (CONTROL A1,100cm) (DE715:US,CND)	
	3-810-765-11	MANUAL,COMMONNESS INSTRUCTION (CONTROL A1) (ENGLISH) (DE715:US)	
	3-810-765-21	MANUAL,COMMONNESS INSTRUCTION (CONTROL A1) (ENGLISH,FRENCH,GERMAN, SWEDISH,DUTCH,SPANISH,ITALIAN, PORTUGUESE,CHINESE) (DE715:CND)	
	3-860-516-11	MANUAL, INSTRUCTION (ENGLISH)	
	3-860-516-21	MANUAL, INSTRUCTION (FRENCH) (CND)	
	4-983-536-01	LID,BATTERY (FOR RM-P501,U501)	

***** HARDWARE LIST *****			
#1	7-685-646-79	SCREW +BVTP 3X8 TYPE2 TT(B)	
#2	7-685-872-09	SCREW +BVTT 3X8 (S)	
#3	7-685-881-09	SCREW +BVTT 4X8 (S)	

The components identified by mark △ or dotted line with mark △ are critical for safety. Replace only with part number specified.	Les composants identifiés par une marque △ sont critiques pour la sécurité. Ne les remplacer que par une pièce portant le numéro spécifié.
---	---